

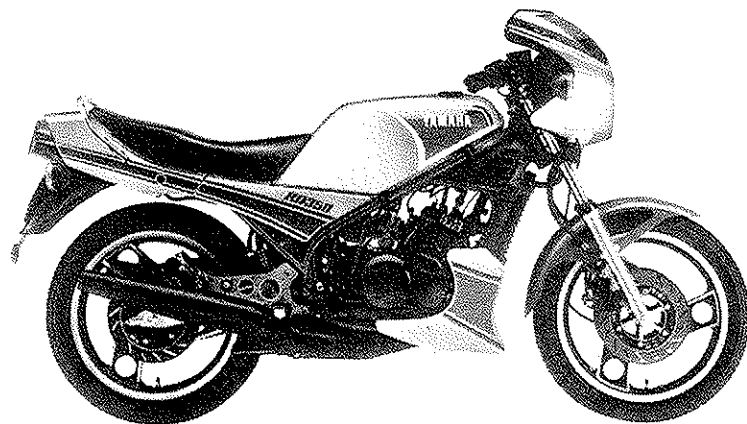
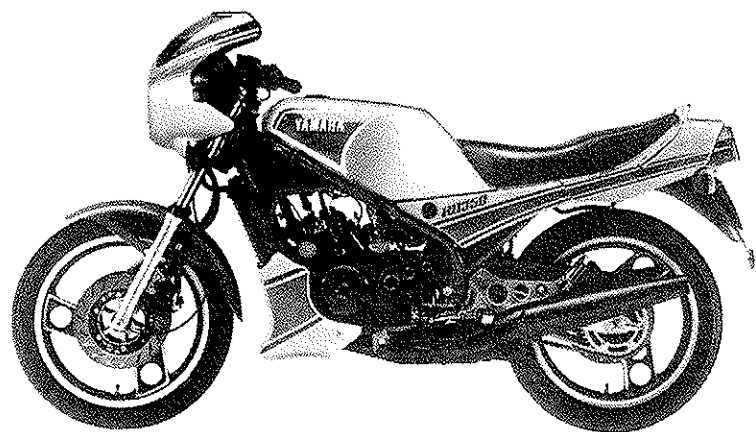
YAMAHA

PARTS CATALOGUE

RD350LC'83 (31K)

EUROPE

1331K-300E1



FOREWORD

This Parts Catalogue is related to the parts in use for the Yamaha RD 350LC '83 (31K).
When you are ordering replacement parts for the RD 350LC '83 (31K), refer to this Parts Catalogue and quote both part numbers and part names correctly.

1. Modifications or additions which have been made after issue of the Parts Catalogue will be announced in the Yamaha Parts News.

It is advisable that according to the Yamaha Parts News you make necessary corrections to the Parts Catalogue on hand to keep it up-to-date.

2. Abbreviations

The following abbreviations are used in this Parts Catalogue.

- U.R. Use size (thickness) and/or number as required.
- U.N. Use as many as you need.
- A.P. Alternate Parts
- L.M. Local Made
- F# Frame No. (Applicable machine No.)

3. The parts marked with (*) in the parts number column of this Catalogue are not supplied with by Yamaha, those have to be found locally.

4. Parts, which are to be supplied in the form of assemblies, are listed with an indention of one letter's space, and a dot (.) is put against the name of each part.

EXAMPLE CARBURETOR ASS'Y
 . JET, pilot
 . NOZZLE, main

5. Indication of No. of constituent parts for assembly

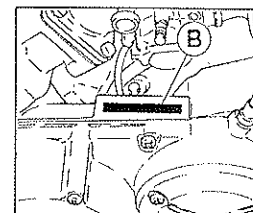
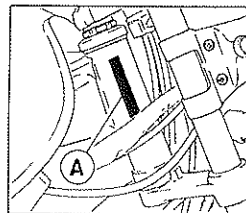
The numeral appearing to the right of each constituent part under the description indicates the quantity of such parts for each individual assembly unit.

EXAMPLE

Part No.	Description	Q'ty	Remarks
2F5-83310-60	FRONT FLASHER LIGHT ASS'Y	2	
115-83311-60	. BULB (6V-18W)	1	
1M1-83309-60	. REFLECTOR	1	

6. Initial Serial No. and Color Code

(A) Frame Serial No.	31K-000101 and following
(B) Engine Serial No.	31K-000101 and following



Color Code	Color Name	Abbreviate
Y9	New Pearl White	NPW
6G	New Yamaha Black	NYB

7. Applicable colors of graphics are represented in the "Remarks" column by the letter(s) appropriately picked out of the full word(s) showing such colors.

EXAMPLE

Part No.	Description	Q'ty	Remarks
2N4-24110-00-X5	FUEL TANK COMP.	1	MAXIM RED
3J1-24240-10	. GRAPHIC, fuel tank set	1	for MXR

CONTENTS

GENERAL SPEC.

ENGINE

Fig. 1	Cylinder Head - Cylinder	1
Fig. 2	Crankshaft - Piston	3
Fig. 3	A. C. Generator	4
Fig. 4	Water Pump	5
Fig. 5	Radiator - Hose	6
Fig. 6	Oil Pump	8
Fig. 7	Intake	10
Fig. 8	Carburetor	12
Fig. 9	Exhaust	14
Fig. 10	Crankcase	15
Fig. 11	Crankcase Cover	16
Fig. 12	Kick Starter	17
Fig. 13	Clutch	18
Fig. 14	Transmission	20
Fig. 15	Tachometer Gear	22
Fig. 16	Shift Cam - Fork	23
Fig. 17	Shift Shaft - Pedal	24

CHASSIS

Fig. 18	Frame - Tool	25
Fig. 19	Front Fender - Rear Fender	27
Fig. 20	Side Cover	29
Fig. 21	Oil Tank	30
Fig. 22	Rear Arm	31
Fig. 23	Rear Suspension	33
Fig. 24	Steering	34
Fig. 25	Front Fork	35
Fig. 26	Fuel Tank	37
Fig. 27	Seat	38
Fig. 28	Front Wheel	39
Fig. 29	Front Brake Caliper	40

Fig. 30	Rear Wheel	41
Fig. 31	Rear Brake Caliper	43
Fig. 32	Handgrip - Cable	44
Fig. 33	Front Master Cylinder	45
Fig. 34	Stand - Footrest	46
Fig. 35	Rear Master Cylinder	48
Fig. 36	Cowling	49
Fig. 37	Flasher Light	50
Fig. 38	Meter	51
Fig. 39	Headlight	52
Fig. 40	Tailight	53
Fig. 41	Electrical 1	54
Fig. 42	Electrical 2	56
Fig. 43	Handle Switch - Lever	57

INDEX (GENERAL SPEC)

Numerical Index
Parts Name Index

INDIVIDUAL SPEC.

FOR AUSTRIA BELGIUM HOLLAND ITALY

Fig. 44	Chassis	58
Fig. 45	Headlight	59
Fig. 46	Electrical	60

FOR DENMARK SWEDEN

Fig. 47	Chassis	61
Fig. 48	Electrical	62

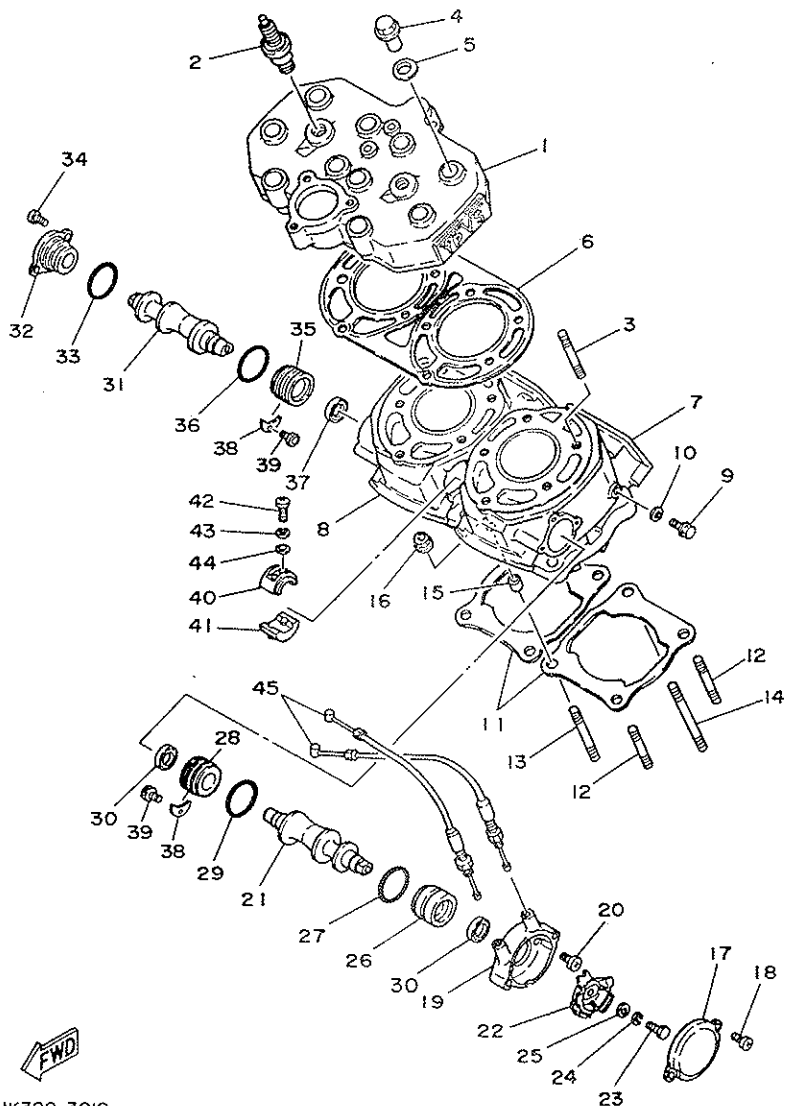
INDEX (INDIVIDUAL SPEC.)

Numerical Index

GENERAL SPEC.

FIG. 1 CYLINDER HEAD, CYLINDER

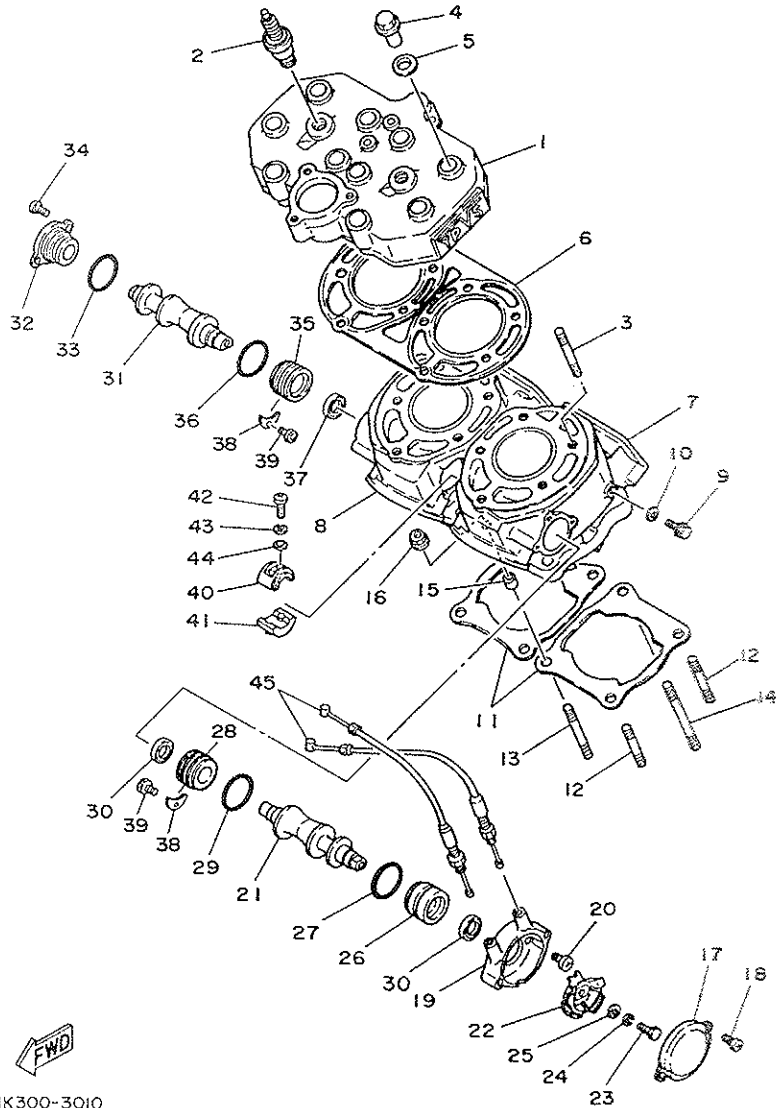
REF. NO.	PART NO.	DESCRIPTION	Q'TY	REMARKS
1	31K-11111-00	HEAD, cylinder 1	1	
2	94701-00204	PLUG, sPark (NGK BR8ES)	2	
3	90116-08424	BOLT, stud	10	
4	90179-08343	NUT	10	
5	90201-122A7	WASHER, Plate	10	
6	31K-11181-00	GASKET, cylinder head 1	1	
7	31K-11311-00	CYLINDER 1	1	
8	31K-11321-00	CYLINDER 2	1	
9	95826-06010	BOLT, flange	2	
10	90430-06166	GASKET	2	
11	29L-11351-00	GASKET, cylinder	2	
12	90116-08318	BOLT, stud	4	
13	90116-08388	BOLT, stud	2	
14	90116-08064	BOLT, stud	2	
15	91810-03014	PIN, dowel	4	
16	90179-08299	NUT	8	
17	29L-1131R-00	CAP, seal	1	
18	98506-05012	SCREW, Pan head	2	
19	29L-1131M-00	COVER	1	
20	98502-05012	SCREW, Pan head	2	
21	31K-1131A-00	VALVE 1	1	
22	29L-1132E-00	PULLEY 1	1	
23	97326-06018	BOLT	1	
24	92906-06100	WASHER, sPring	1	
25	92906-06600	WASHER, Plate	1	
26	31K-1131U-00	HOLDER 3	1	
27	93210-29198	O-RING	1	
28	31K-1131F-00	HOLDER 2	2	



31K300-3010

B2

FIG. 1 CYLINDER HEAD. CYLINDER



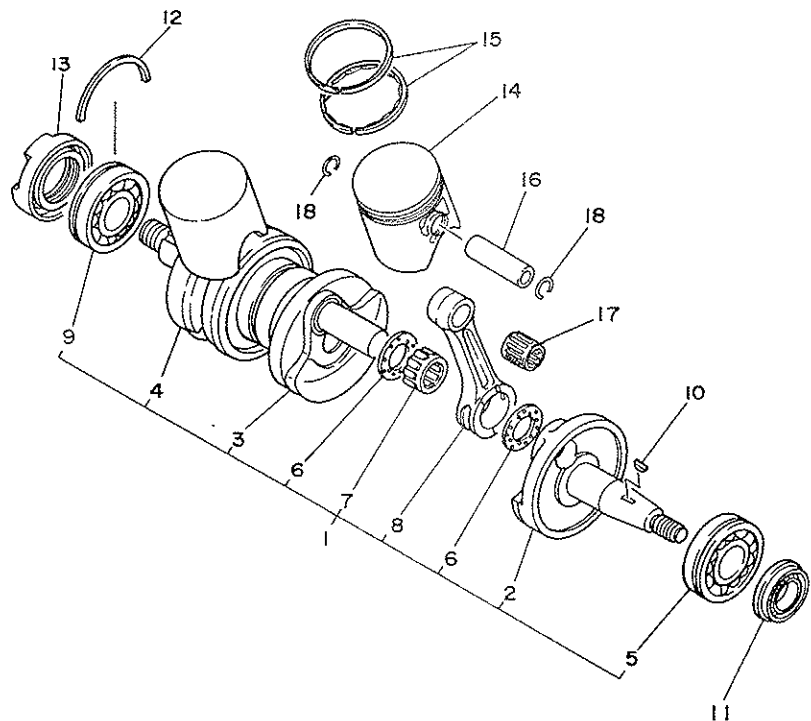
REF. NO.	PART NO.	DESCRIPTION	Q'TY	REMARKS
28	93210-29198	O-RING	1	
30	93108-23010	OIL SEAL	2	
31	31K-1132A-00	VALVE 2	1	
32	31K-1131E-00	HOLDER 1	1	
33	93210-29198	O-RING	1	
34	98508-05012	SCREW, Pan head	2	
35	31K-1131F-00	HOLDER 2	1	
36	93210-29198	O-RING	1	
37	93108-23010	OIL SEAL	1	
38	31K-11915-00	PLATE, thrust 1	2	
39	91316-05010	BOLT	2	
40	29L-1131H-00	JOINT 1	1	
41	29L-1131J-00	JOINT 2	1	
42	98501-04025	SCREW, Pan head	2	
43	92902-04100	WASHER, spring	2	
44	92901-04800	WASHER, Plate	2	
45	29L-1133E-00	WIRE, Pulley 1	2	

FWD

31K300-3010

B3

FIG. 2 CRANKSHAFT•PISTON



REF. NO.	PART NO.	DESCRIPTION	Q'TY	REMARKS
1	29L-11400-00	CRANKSHAFT ASSY	1	
2	29L-11412-00	•CRANK 1	1	
3	29L-11409-00	•CRANK SUB ASSY	1	
4	29L-11442-00	•CRANK 4	1	
5	93306-30510	•BEARING	1	
6	90209-22248	•WASHER	4	
7	93310-522L4	•BEARING, cylindrical	2	
8	29L-11651-00	•ROD, connecting	2	
9	93306-30531	•BEARING	1	
10	90280-05033	KEY, woodruff	1	
11	93103-25108	OIL SEAL	1	
12	278-17424-01	CIRCLIP 1	1	
13	93103-40077	OIL SEAL	1	
14	31K-11631-00-94	PISTON (STD)	2	
	31K-11635-00	PISTON (1ST O/S 0.25MM)	2	AP
	31K-11636-00	PISTON (2ND O/S 0.50MM)	2	AP
15	31K-11610-00	PISTON RING SET (STD)	2	
	31K-11610-10	PISTON RING SET (1ST O/S)	2	AP
	31K-11610-20	PISTON RING SET (2ND O/S)	2	AP
16	4L0-11633-00	PIN, Piston	2	
17	93310-316H6	BEARING, cylindrical	2	
18	4V2-11634-00	CLIP, Piston Pin	4	

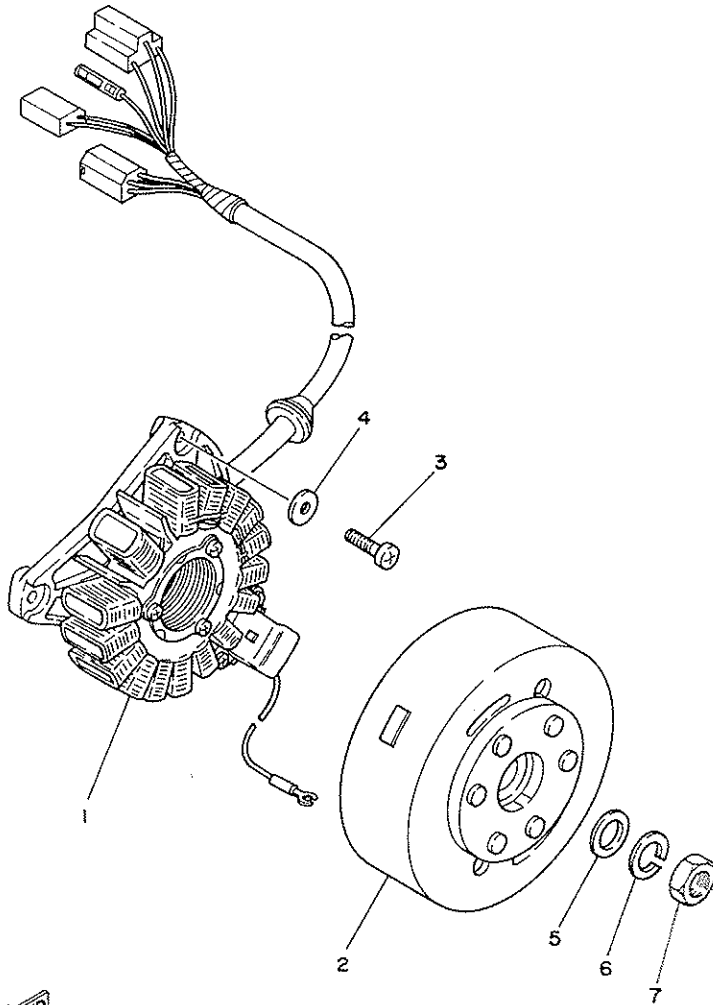


29L010-3021

B4

FIG. 3 A.C.GENERATOR

REF. NO.	PART NO.	DESCRIPTION	Q'TY	REMARKS
1	29L-81410-50	STATOR ASSY	1	
2	29L-81450-50	ROTOR ASSY	1	
3	90153-06025	SCREW, hexagon	3	
4	90201-06042	WASHER, Plate	3	
5	90201-12593	WASHER, Plate	1	
6	92902-12100	WASHER, Spring	1	
7	90170-12067	NUT	1	

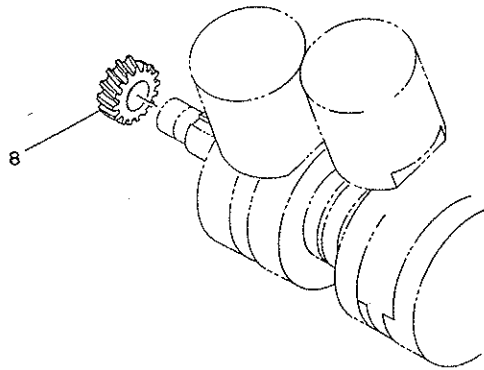
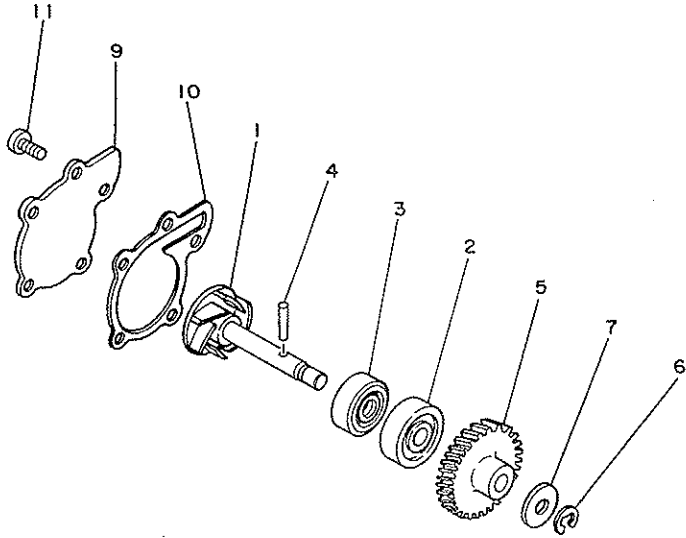


29L010-3031

B5

FIG. 4 WATER PUMP

REF. NO.	PART NO.	DESCRIPTION	Q'TY	REMARKS
1	4L0-12450-01	IMPELLER SHAFT ASSY	1	
2	93306-30003	BEARING (B6300Z)	1	
3	93103-10113	OIL SEAL	1	
4	93603-22028	PIN, dowel	1	
5	4L0-12459-00	GEAR, imPeller shaft	1	
6	93430-07012	CIRCLIP	1	
7	90201-08784	WASHER, Plate	1	
8	4L0-12436-00	GEAR, drive	1	
9	4L0-12422-00	COVER, housing	1	
10	4L0-12428-00	GASKET, housing cover 2	1	
11	92501-06015	SCREW, Pan head	5	

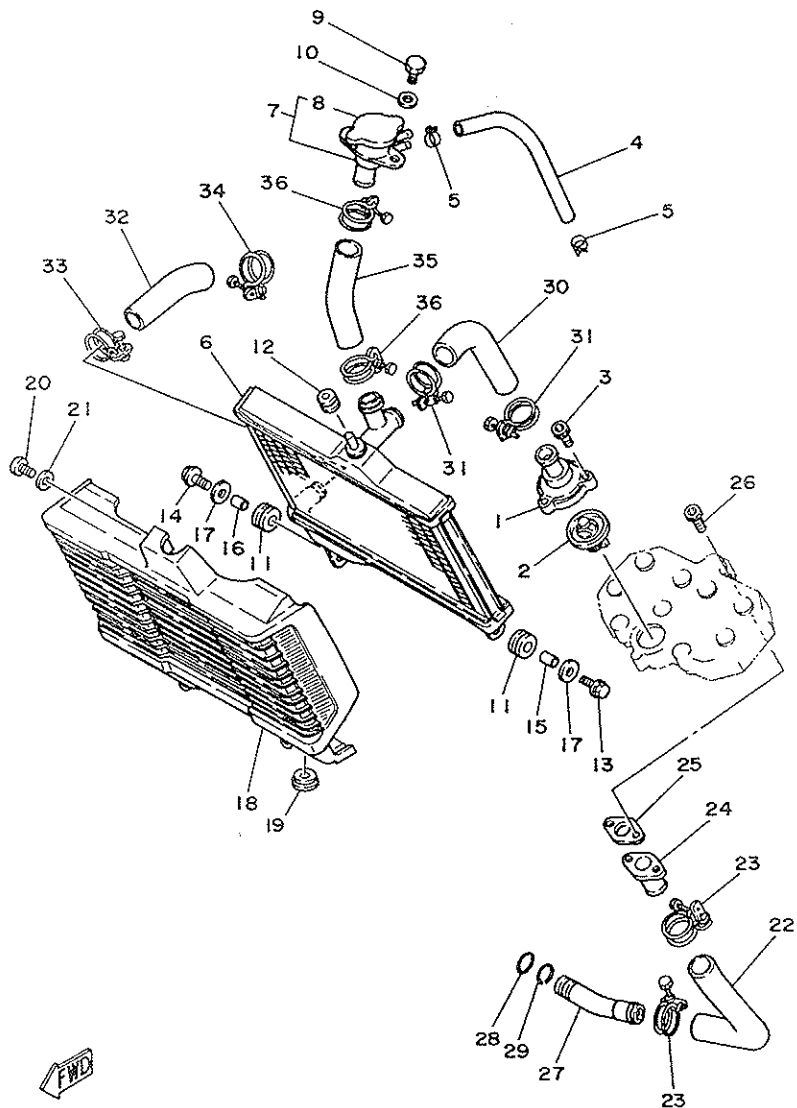


29L010-3040

B6

FIG. 5 RADIATOR HOSE

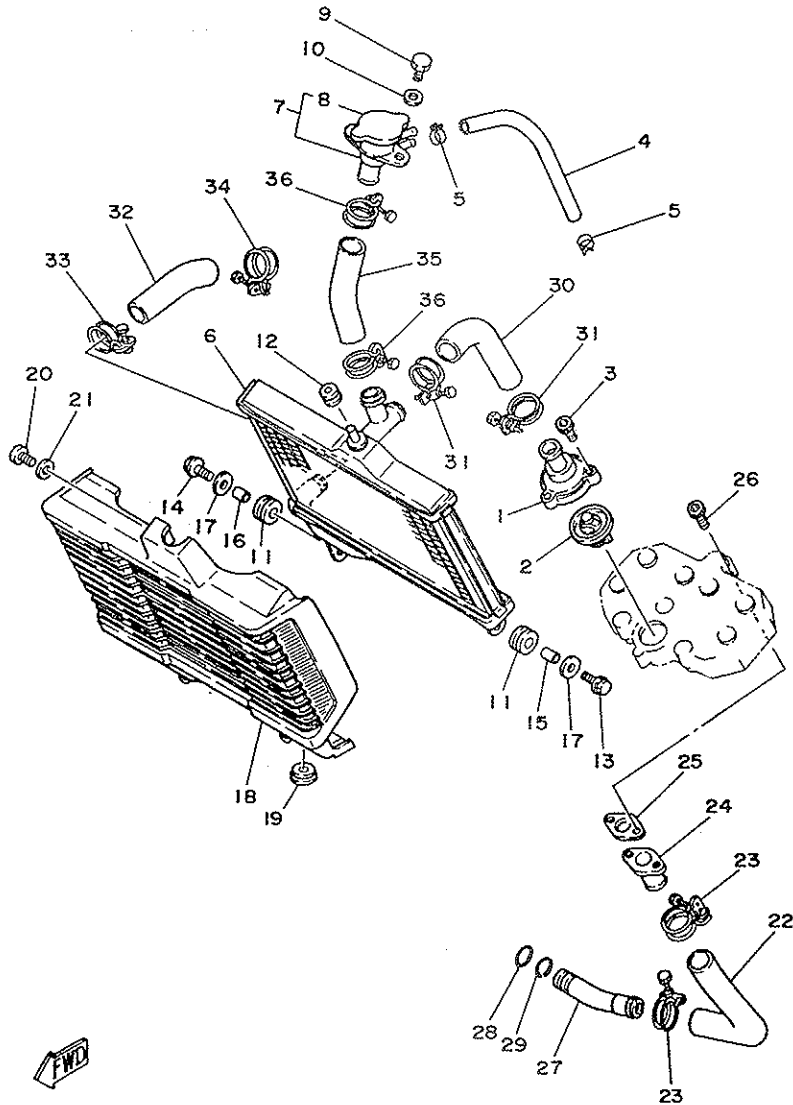
REF. NO.	PART NO.	DESCRIPTION	Q'TY	REMARKS
1	29L-12446-00	JOINT	1	
2	29L-12411-00	THERMOSTAT	1	
3	91316-06020	BOLT	3	
4	29L-12485-00	PIPE 5	1	
5	90467-13083	CLIP	2	
6	29L-12461-00	RADIATOR ASSY	1	
7	29L-12590-00	CONDUCTION ASSY	1	
8	17W-12462-00	.CAP, radiator	1	
9	97301-06016	BOLT	2	
10	90201-06067	WASHER, Plate	2	
11	90480-15363	GROMMET	2	
12	90480-16284	GROMMET	1	
13	95806-06025	BOLT, flange	1	
14	95808-06020	BOLT, flange	1	
15	90387-07392	COLLAR	1	
16	90387-07390	COLLAR	1	
17	90201-060A3	WASHER, Plate	2	
18	29L-12487-00	COVER, radiator	1	
19	90480-12014	GROMMET	2	
20	92506-06018	SCREW, Pan head	1	
21	90201-06380	WASHER, Plate	1	
22	29L-12481-00	PIPE 1	1	
23	90480-30158	CLAMP, hose	2	
24	4L0-12479-00	JOINT	1	
25	4L0-12435-00	GASKET	1	
26	91316-06020	BOLT	2	
27	29L-12469-00	JOINT 1	1	
28	93210-17239	O-RING	1	



31K300-3050

B7

FIG. 5 RADIATOR HOSE



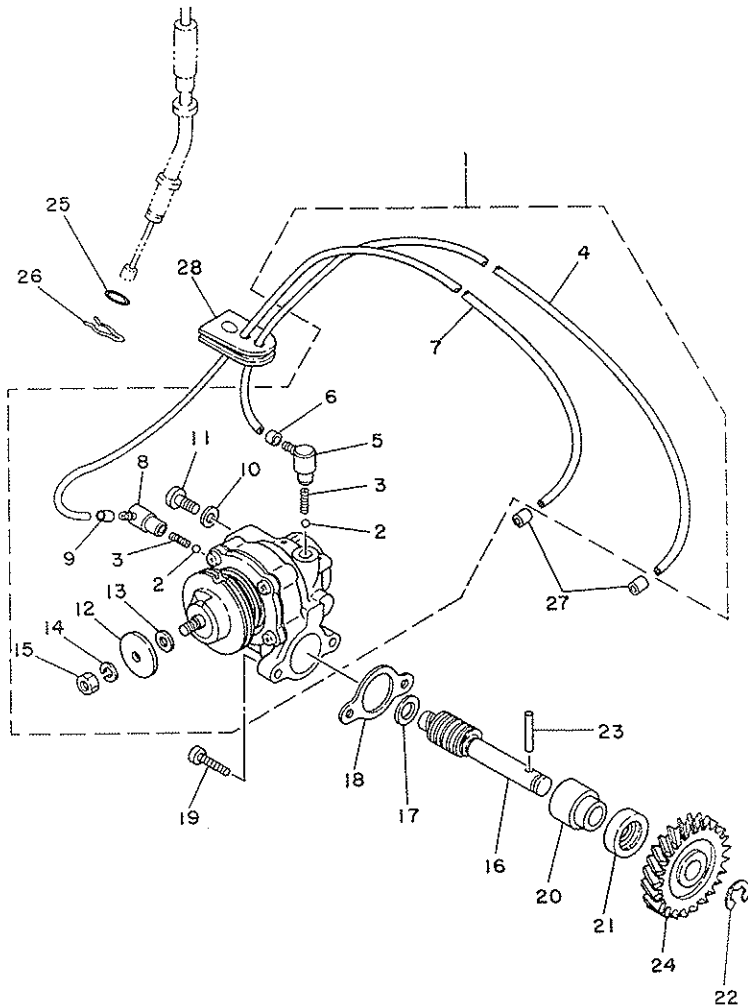
REF. NO.	PART NO.	DESCRIPTION	Q'TY	REMARKS
29	93440-19083	CIRCLIP	1	
30	29L-12482-00	PIPE 2	1	
31	90460-30158	CLAMP, hose	2	
32	4L0-12484-00	PIPE 4	1	
33	90460-30158	CLAMP, hose	1	
34	90460-33159	CLAMP, hose	1	
35	29L-12483-00	PIPE 3	1	
36	90460-30158	CLAMP, hose	2	



3IK300-3050

B8

FIG. 6 OIL PUMP



REF. NO.	PART NO.	DESCRIPTION	Q'TY	REMARKS
1	4L0-13101-03	OIL PUMP ASSY	1	
2	93505-32002	•BALL	2	
3	278-13169-00	•SPRING, check ball	2	
4	90445-05203	•HOSE	1	
5	353-13552-01	•NOZZLE	1	
6	90468-02033	•CLIP	1	
7	90445-05765	•HOSE	1	
8	353-13552-01	•NOZZLE	1	
9	90468-02033	•CLIP	1	
10	90430-04004	•GASKET	1	
11	98901-04008	•SCREW, bind	1	
12	137-13138-01	•PLATE, adjusting	1	
13	137-13137-00-03	•SHIM (0.3T)	1	UR
	137-13137-00-05	•SHIM (0.5T)	1	UR
	137-13137-00-10	•SHIM (1.0T)	1	UR
14	92901-05100	•WASHER, sPring	1	
15	95301-05600	•NUT	1	
16	4L0-13175-02	SHAFT, worm	1	
17	90201-05824	WASHER, Plate	1	
18	126-13116-00	GASKET, PumP case	1	
19	98501-05016	SCREW, Pan head	2	
20	1E7-13176-00	METAL, worm shaft outer	1	
21	93101-10002	OIL SEAL	1	
22	93430-08036	CIRCLIP	1	
23	93603-22028	PIN, dowel	1	
24	4L0-13178-00	GEAR, PumP drive	1	
25	93210-07100	G-RING	1	
26	90468-08086	CLIP	1	

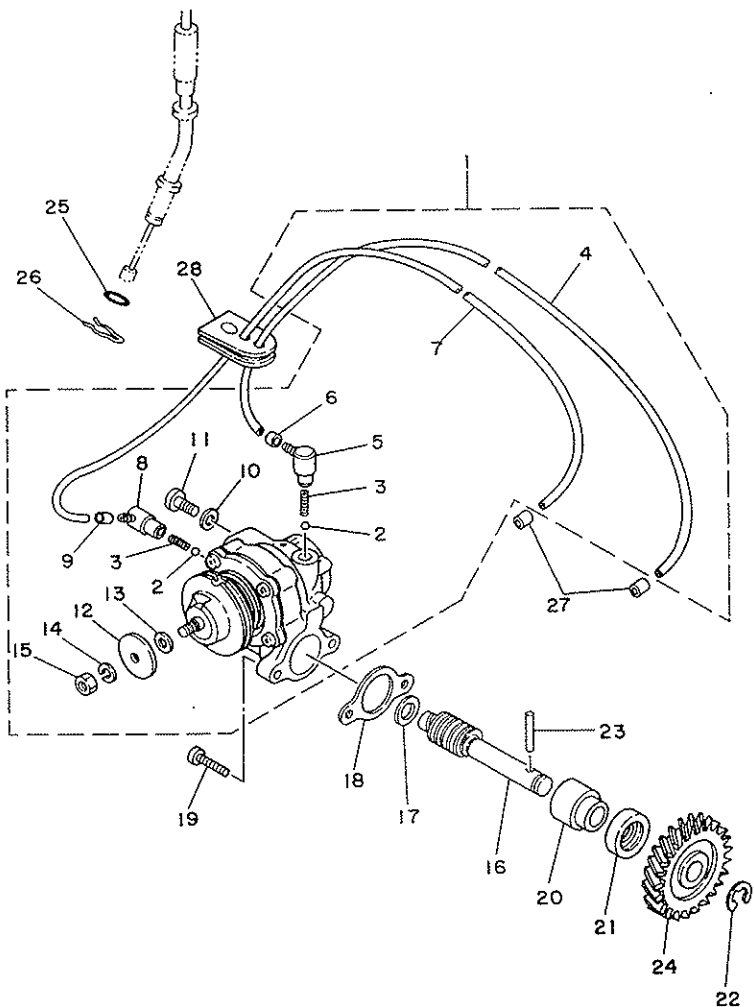


29L010-3060

B9

FIG. 6 OIL PUMP

REF. NO.	PART NO.	DESCRIPTION	Q'TY	REMARKS
27	90468-02033	CLIP	2	
28	4L0-13174-00	HOLDER, oil Pipe	1	

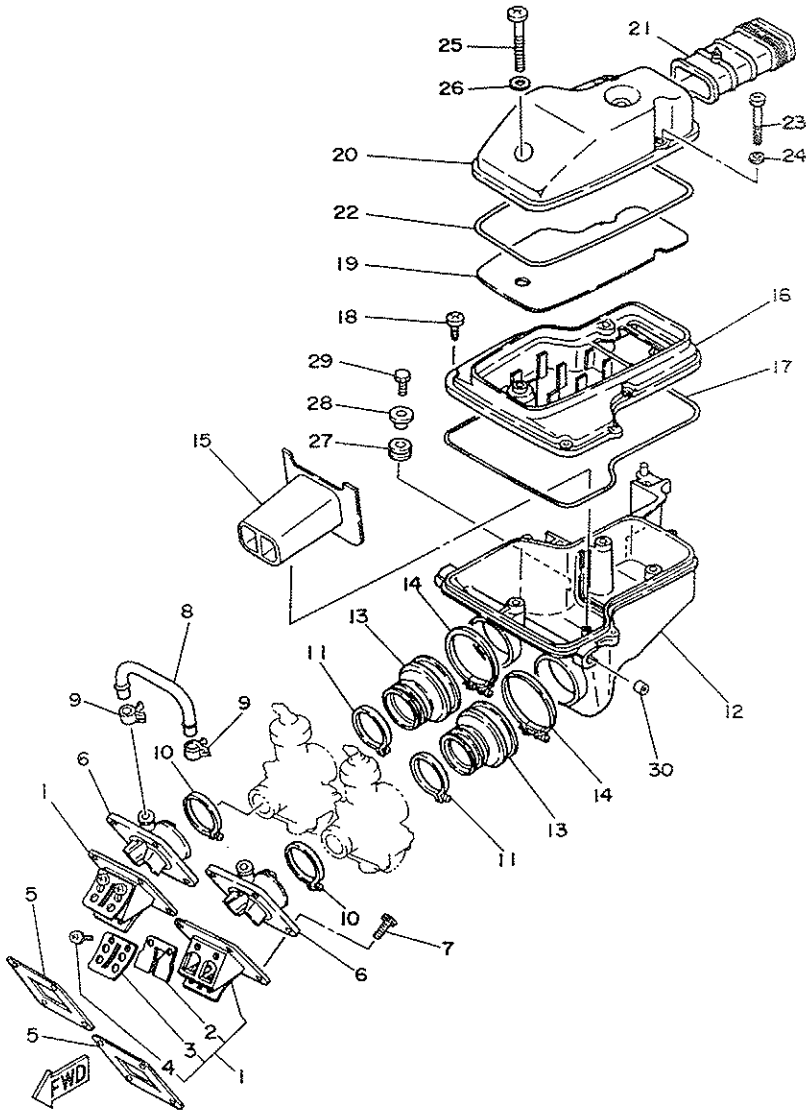


29L010-3060

B10

FIG. 7 INTAKE

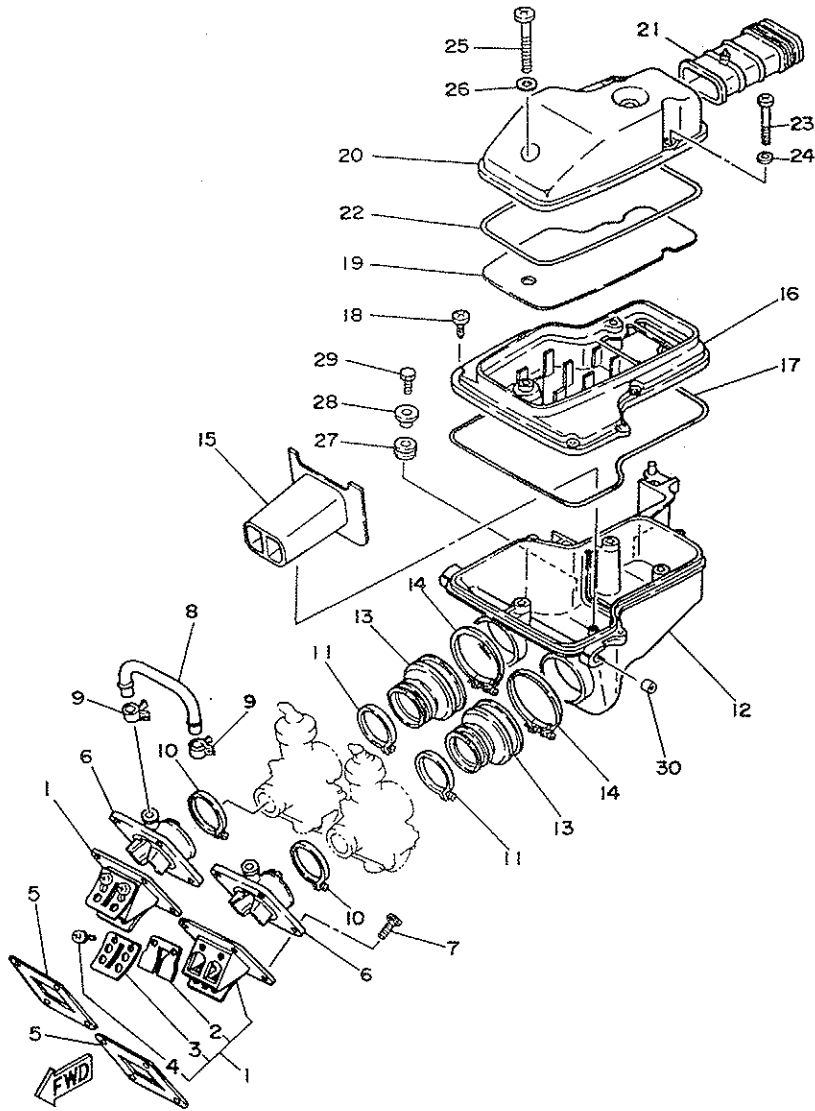
REF. NO.	PART NO.	DESCRIPTION	Q'TY	REMARKS
1	31K-13610-00	REED VALVE ASSY	2	
2	10V-13613-00	•REED, valve	2	
3	10V-13616-01	•STOPPER, reed valve	2	
4	97602-03108	•SCREW, Pan head with washer	4	
5	31K-13621-00	GASKET, valve seat	2	
6	31K-13665-00	JOINT, carburetor	2	
7	91316-06025	BOLT	8	
8	29L-14465-00	PIPE	1	
9	90467-20085	CLIP	2	
10	90460-44108	CLAMP, hose	2	
11	90460-49058	CLAMP, hose	2	
12	29L-14411-00	CASE, air cleaner 1	1	
13	29L-14453-00	JOINT, air cleaner 1	2	
14	90460-68230	CLAMP, hose	2	
15	29L-1441F-00	PARTITION, air cleaner case	1	
16	29L-14421-00	CASE, air cleaner 2	1	
17	29L-14452-00	SEAL	1	
18	97701-50525	SCREW, tapping	6	
19	29L-14451-00	ELEMENT, air cleaner	1	
20	29L-14412-00	CAP, cleaner case 1	1	
21	29L-14437-00	DUCT	1	
22	29L-14457-00	SEAL	1	
23	92501-06055	SCREW, Pan head	2	
24	92901-06600	WASHER, Plate	2	
25	92501-06075	SCREW, Pan head	1	
26	92901-06600	WASHER, Plate	1	
27	90480-16233	GRDMMET	1	
28	90387-07037	COLLAR	1	



31K300-3070



FIG. 7 INTAKE

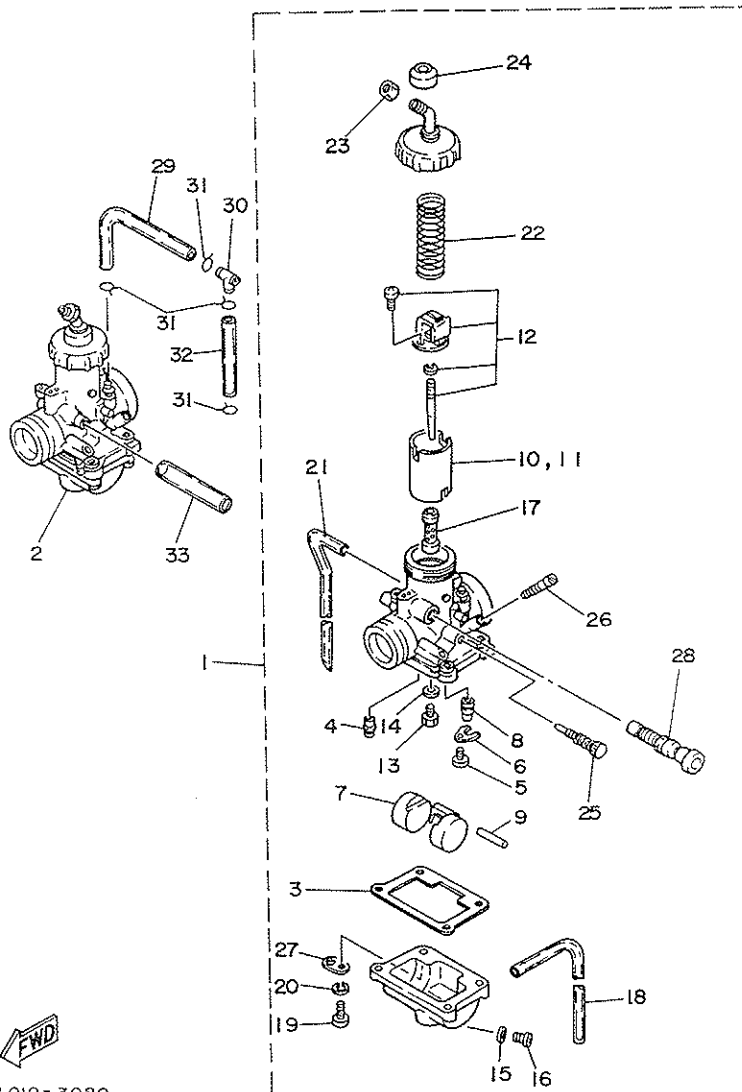


REF. NO.	PART NO.	DESCRIPTION	Q'TY	REMARKS
29	97301-06018	BOLT	1	
30	90445-12718	HOSE	2	

31K300-3070

B12

FIG. 8 CARBURETOR



REF. NO.	PART NO.	DESCRIPTION	Q'TY	REMARKS
1	31K-14101-00	CARBURETOR ASSY 1	1	
2	31K-14102-00	CARBURETOR ASSY 2	1	
3	304-14184-00	•GASKET, float chamber	2	
4	260-14142-22	•JET, Pilot (#22.5)	2	
5	98502-04008	•SCREW, Pan head	2	
6	2H0-14146-00	•PLATE	2	
7	4L0-14185-00	•FLOAT	2	
8	29K-14190-25	•NEEDLE VALVE ASSY	2	
9	537-14186-00	•PIN, float	2	
10	29K-14112-20	•VALVE, throttle 1	1	
11	29K-14113-20	•VALVE, throttle 2	1	
12	29K-1490J-00	•NEEDLE SET (5K01)	2	
13	137-14143-48	•JET, main (#240)	2	
14	137-14153-00	•WASHER, main jet	2	
15	296-14117-00	•WASHER, plug screw	2	
16	98501-05008	•SCREW, Pan head	2	
17	4L0-14141-40	•NOZZLE, main	2	
18	4L0-14196-00	•PIPE	2	
19	98501-04016	•SCREW, Pan head	8	
20	92902-04100	•WASHER, spring	8	
21	4L0-14197-00	•PIPE	2	
22	4L0-14131-00	•SPRING, throttle valve	2	
23	802-14161-00	•NUT, cable adjusting	2	
24	3X3-14169-00	•CAP	2	
25	23L-14103-00	•THROTTLE SCREW SET	2	
26	10W-14104-00	•AIR SCREW SET	2	
27	500-14146-00	•PLATE	2	
28	4U5-14171-00	•PLUNGER, starter	2	

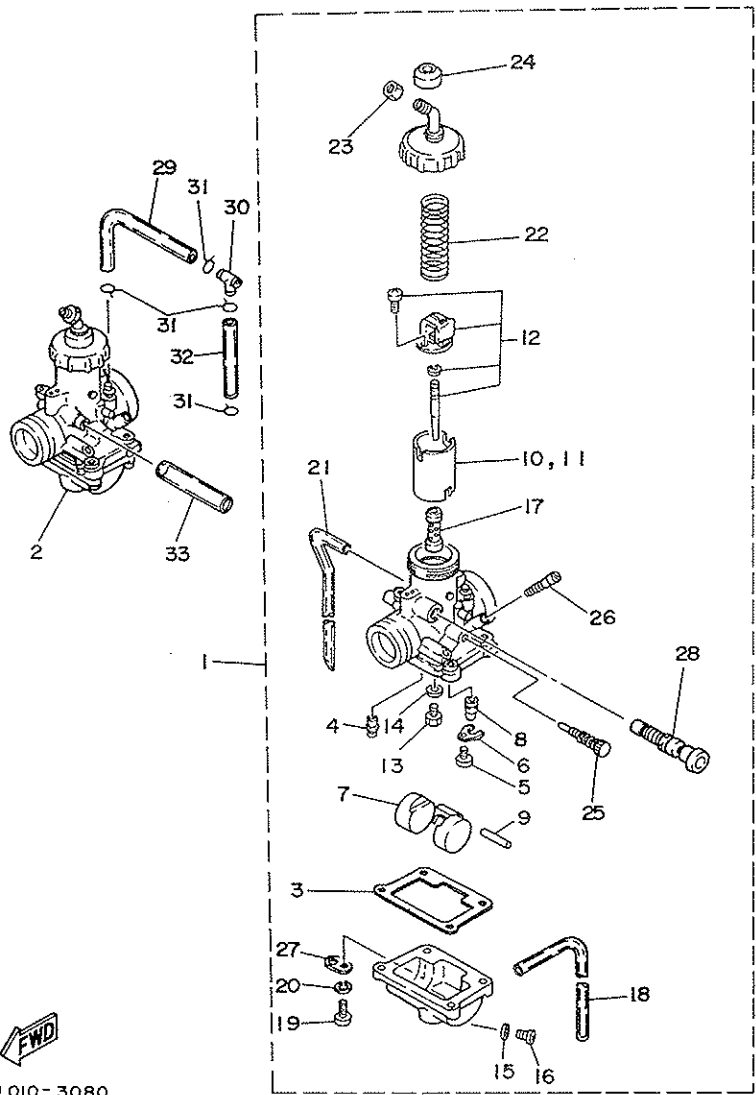


29L010-3080

B13

FIG. 8 CARBURETOR

REF. NO.	PART NO.	DESCRIPTION	Q'TY	REMARKS
29	29L-24311-00	PIPE, fuel 1	1	
30	90413-07007	WAY 3	1	
31	90467-10008	CLIP	4	
32	90445-11763	HOSE	1	
33	90445-09012	HOSE	1	

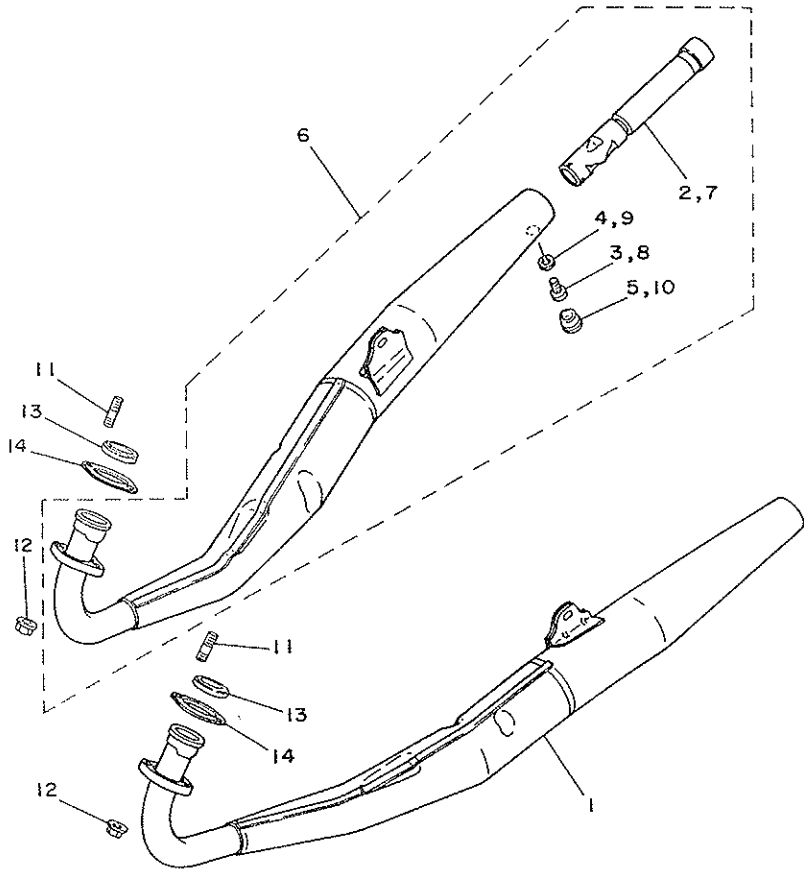


29L010-3080

B14

FIG. 9 EXHAUST

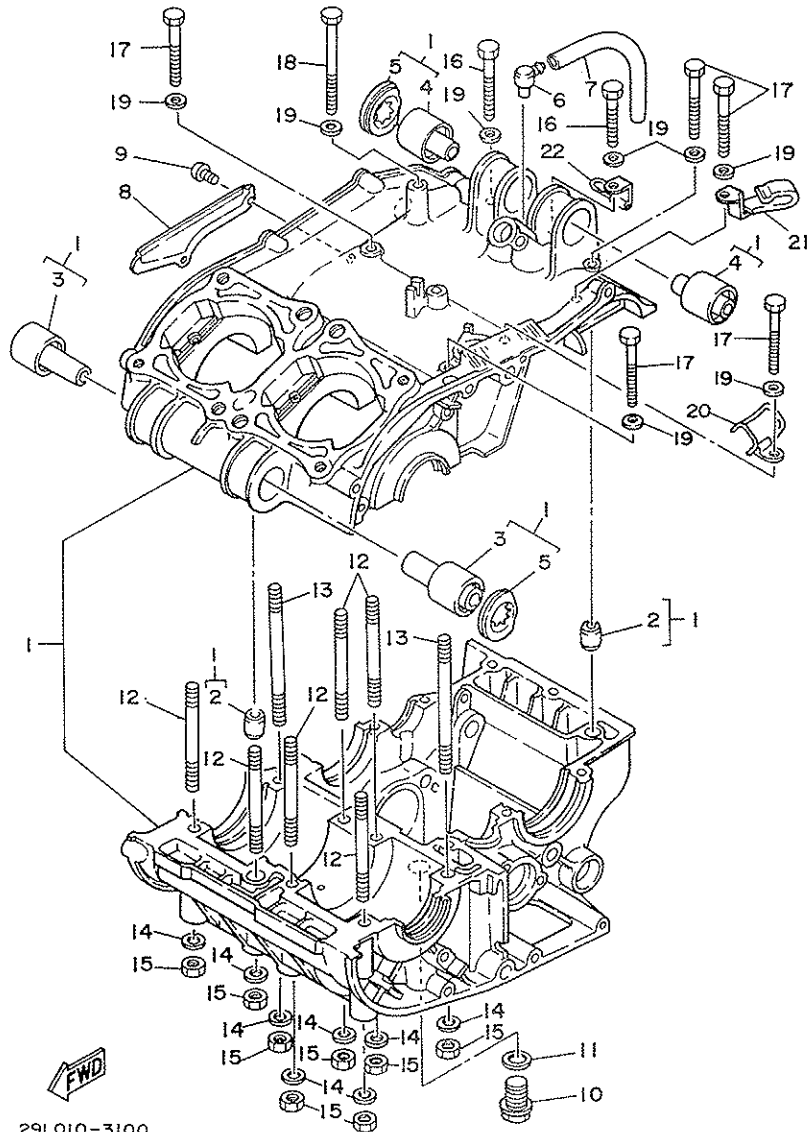
REF. NO.	PART NO.	DESCRIPTION	Q'TY	REMARKS
1	31K-14710-00	MUFFLER ASSY 1	1	
2	29L-14753-00	•SILENCER, exhaust	1	
3	92501-06010	•SCREW, Pan head	1	
4	92901-06100	•WASHER, sPring	1	
5	90480-14153	•GROMMET	1	
6	31K-14720-00	MUFFLER ASSY 2	1	
7	29L-14753-00	•SILENCER, exhaust	1	
8	92501-06010	•SCREW, Pan head	1	
9	92901-06100	•WASHER, sPring	1	
10	90480-14153	•GROMMET	1	
11	90116-08365	BOLT, stud	4	
12	90185-08097	NUT, self-locking	4	
13	29L-14613-00	GASKET, exhaust Pipe	2	
14	29L-14643-00	GASKET 3	2	



31K300-3090

B15

FIG. 10 CRANKCASE

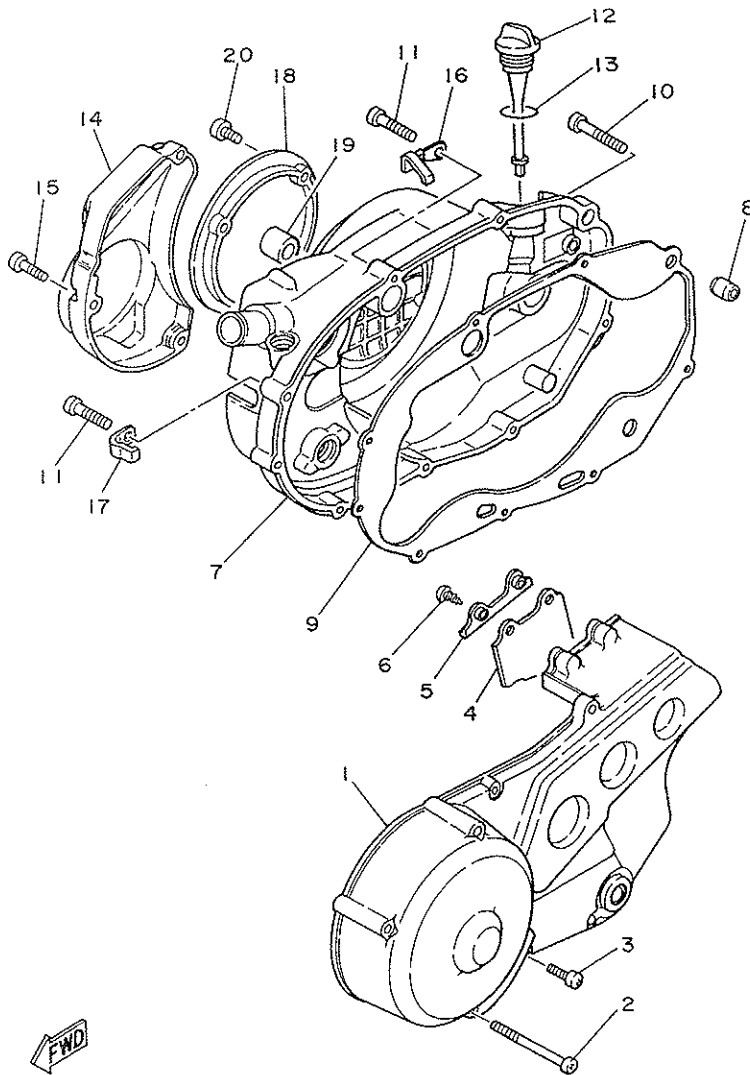


REF. NO.	PART NO.	DESCRIPTION	Q'TY	REMARKS
1	29L-15100-00	CRANKCASE ASSY	1	
2	91810-05016	•PIN, dowel	2	
3	4L0-15316-00	•DAMPER, engine mount 1	2	
4	4L0-15326-00	•DAMPER, engine mount 2	2	
5	4L0-15328-00	•SPACER, damPer	2	
6	498-15371-00	BREATHER	1	
7	90446-07112	HOSE	1	
8	278-15492-01	COVER	1	
9	98501-05010	SCREW, Pan head	2	
10	90340-14010	PLUG, straight screw	1	
11	137-15353-00	GASKET, drain	1	
12	90116-08064	BOLT, stud	6	
13	90116-08232	BOLT, stud	2	
14	90201-08100	WASHER, Plate	8	
15	95301-08600	NUT	8	
16	97311-06045	BOLT	2	
17	97311-06060	BOLT	5	
18	97311-06090	BOLT	1	
19	92901-06200	WASHER, Plain	8	
20	90462-16130	CLAMP	1	
21	90465-08125	CLAMP	1	
22	90465-06094	CLAMP	1	

29L010-3100

C2

FIG. 11 CRANKCASE COVER



REF. NO.	PART NO.	DESCRIPTION	Q'TY	REMARKS
1	29L-15410-00	CRANKCASE COVER ASSY 1	1	
2	92506-06055	SCREW, Pan head	3	
3	92506-06020	SCREW, Pan head	4	
4	1A0-15497-00	PLATE, dust seal	1	
5	1A0-15491-00	PROTECTOR	1	
6	97706-50512	SCREW, tapping	2	
7	29L-15421-00	COVER, crankcase 2	1	
8	91810-05016	PIN, dowel	1	
9	4L0-15461-01	GASKET, crankcase cover 2	1	
10	92506-06040	SCREW, Pan head	1	
11	92506-06030	SCREW, Pan head	8	
12	4L0-15362-00	PLUG, oil level	1	
13	93210-19123	O-RING	1	
14	29L-15416-00	COVER, oil pump	1	
15	92506-06020	SCREW, Pan head	3	
16	90462-08071	CLAMP	1	
17	90462-08070	CLAMP	1	
18	29L-15431-00	COVER, crankcase 3	1	
19	90560-08245	SPACER	1	
20	98506-05014	SCREW, Pan head	3	

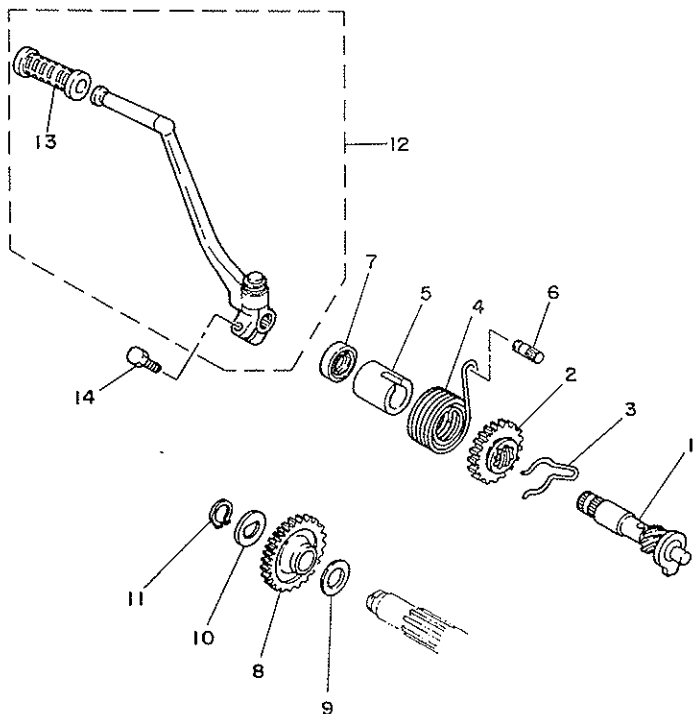


29L010-3110

C3

FIG. 12 KICK STARTER

REF. NO.	PART NO.	DESCRIPTION	Q'TY	REMARKS
1	4L0-15660-00	KICK AXLE ASSY	1	
2	4L0-15641-00	GEAR, kick (22T)	1	
3	90468-26091	CLIP	1	
4	90508-30051	SPRING, torsion	1	
5	4L0-15666-00	SPACER	1	
6	248-15668-00	STOPPER	1	
7	93101-20048	OIL SEAL	1	
8	4L0-15651-00	GEAR, kick idle (26T)	1	
9	164-17417-00-10	SHIM 1 (1.0T)	1	
10	90214-15020	WASHER, claw	1	
11	93410-15005	CIRCLIP	1	
12	29L-15620-00	KICK CRANK ASSY	1	
13	156-15618-01	COVER, kick lever	1	
14	97326-08030	BOLT	1	

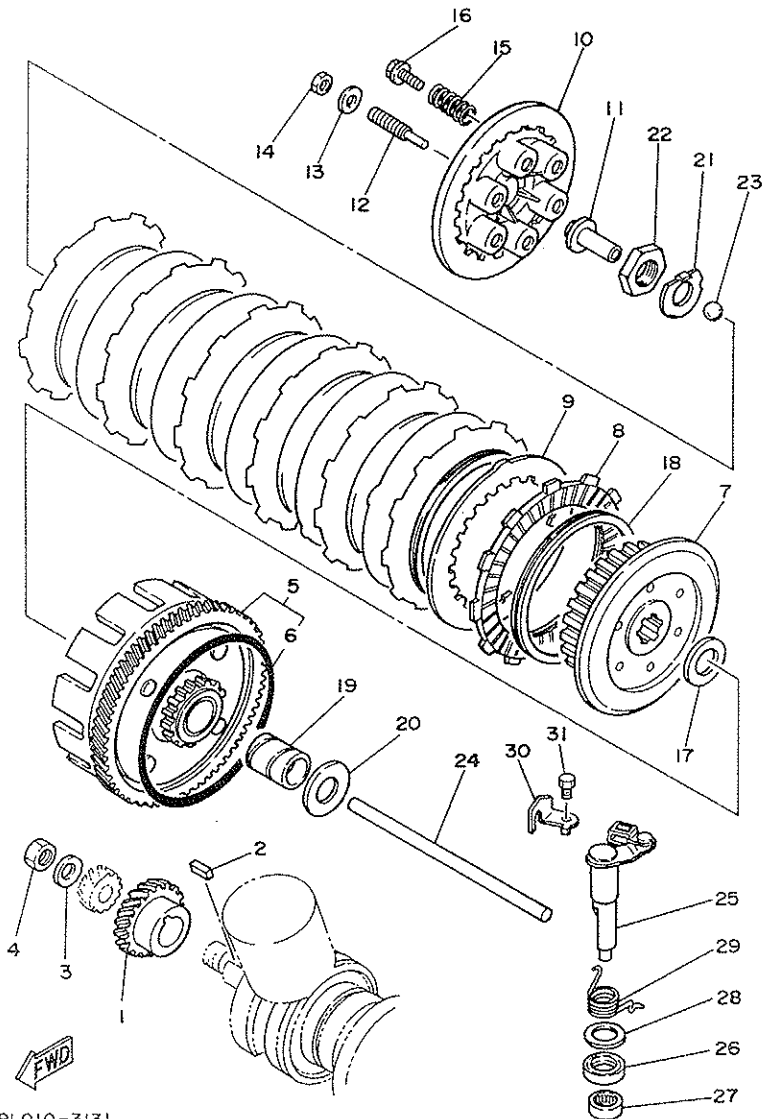


29L010-3120

C4

FIG. 13 CLUTCH

REF. NO.	PART NO.	DESCRIPTION	Q'TY	REMARKS
1	4L0-16111-00	GEAR, Primary drive (23T)	1	
2	90282-07023	KEY, straight	1	
3	90208-16019	WASHER, conical sPring	1	
4	90170-16182	NUT	1	
5	31K-16150-00	PRIMARY DRIVEN GEAR COMP.	1	
6	93211-10232	O-RING	1	
7	1A0-16371-00	BOSS, clutch	1	
8	4L0-16321-00	PLATE, friction	7	
9	498-16325-00	PLATE, clutch 2	6	
10	29L-16351-00	PLATE, Pressure 1	1	
11	29L-16356-00	ROD, Push 1	1	
12	90149-08143	SCREW	1	
13	92901-08200	WASHER, Plain	1	
14	95311-08700	NUT	1	
15	90501-23138	SPRING, compression	6	
16	90159-06016	SCREW, with washer	6	
17	360-16154-00	PLATE, thrust 1	1	
18	278-16367-00	RING, cushion	7	
19	278-16181-01	SPACER 1	1	
20	360-16154-00	PLATE, thrust 1	1	
21	90215-20223	WASHER, lock	1	
22	90170-20320	NUT	1	
23	93515-32029	BALL	1	
24	29L-16357-00	ROD, Push 2	1	
25	29L-16380-00	PUSH LEVER ASSY	1	
26	93102-17004	OIL SEAL	1	
27	93315-11720	BEARING, cylindrical	1	
28	90201-17327	WASHER, Plate	1	

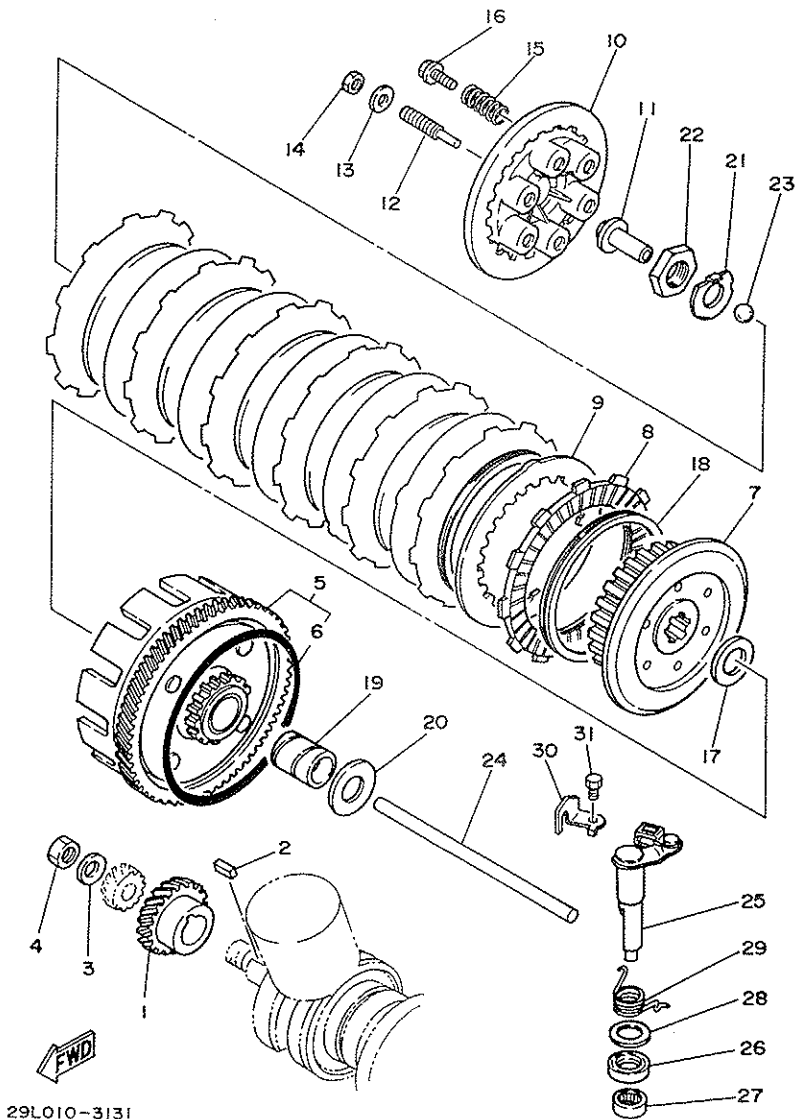


29L010-3131

C5

FIG. 13 CLUTCH

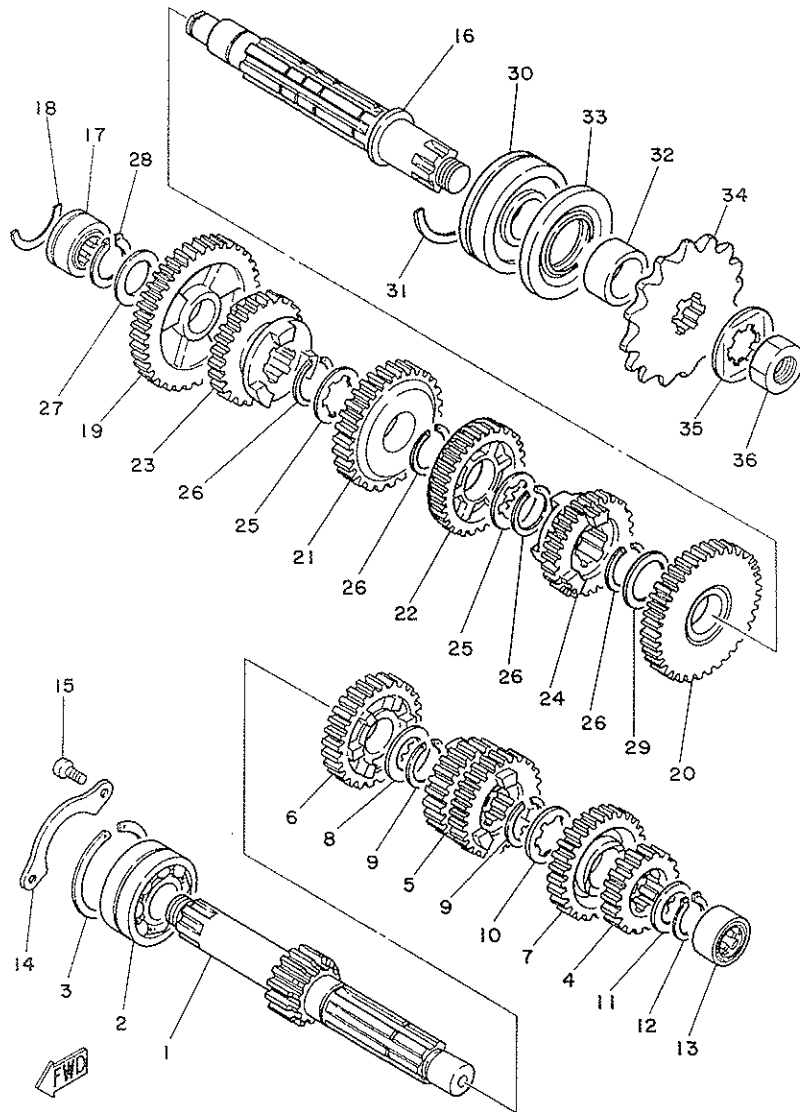
REF. NO.	PART NO.	DESCRIPTION	Q'TY	REMARKS
29	90508-16599	SPRING, torsion	1	
30	90465-16239	CLAMP	1	
31	97301-06010	BDLT	1	



29L010-3131

C6

FIG. 14 TRANSMISSION

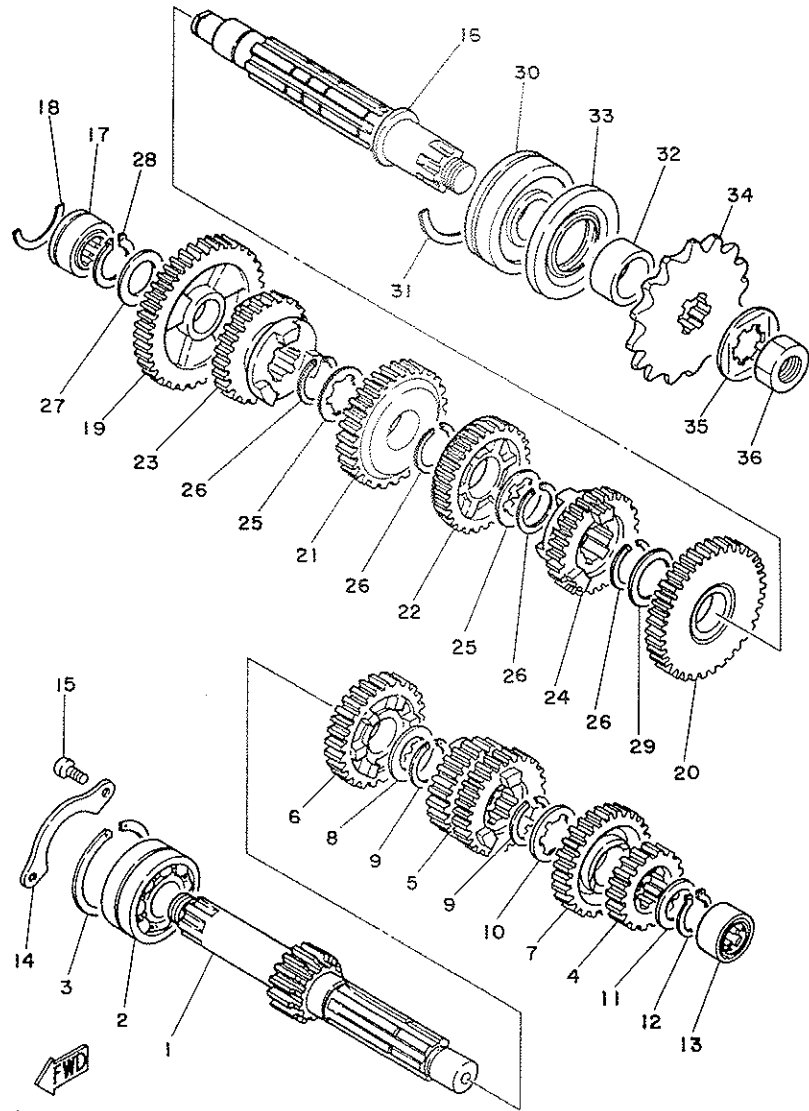


29L010-3140

C7

REF. NO.	PART NO.	DESCRIPTION	Q'TY	REMARKS
1	29L-17411-00	AXLE, main (14T)	1	
2	93305-20502	BEARING (B5205)	1	
3	93440-52009	CIRCLIP	1	
4	29L-17121-00	GEAR, 2nd Pinion (18T)	1	
5	29L-17131-00	GEAR, 3rd/4th Pinion (22T,24T)	1	
6	29L-17151-00	GEAR, 5th Pinion (26T)	1	
7	29L-17161-00	GEAR, 6th Pinion (27T)	1	
8	90201-25490	WASHER, Plate	1	
9	93440-25084	CIRCLIP	2	
10	90209-21105	WASHER	1	
11	90201-20266	WASHER, Plate	1	
12	93410-20009	CIRCLIP	1	
13	93311-22027	BEARING, cylindrical	1	UR
	93311-22005	BEARING, cylindrical	1	UR
14	4L0-17471-00	PLATE, cover	1	
15	92501-06012	SCREW, Pan head	2	
16	29L-17421-00	AXLE, drive	1	
17	93311-42045	BEARING, cylindrical	1	
18	278-17425-00	CIRCLIP 2	1	
19	4L0-17211-01	GEAR, 1st wheel (36T)	1	
20	4L0-17221-01	GEAR, 2nd wheel (32T)	1	
21	29L-17231-00	GEAR, 3rd wheel (29T)	1	
22	4L0-17241-01	GEAR, 4th wheel (26T)	1	
23	29L-17251-00	GEAR, 5th wheel (25T)	1	
24	29L-17261-00	GEAR, 6th wheel (24T)	1	
25	90209-21105	WASHER	2	
26	93440-25084	CIRCLIP	4	
27	90201-20276	WASHER, Plate	1	

FIG. 14 TRANSMISSION

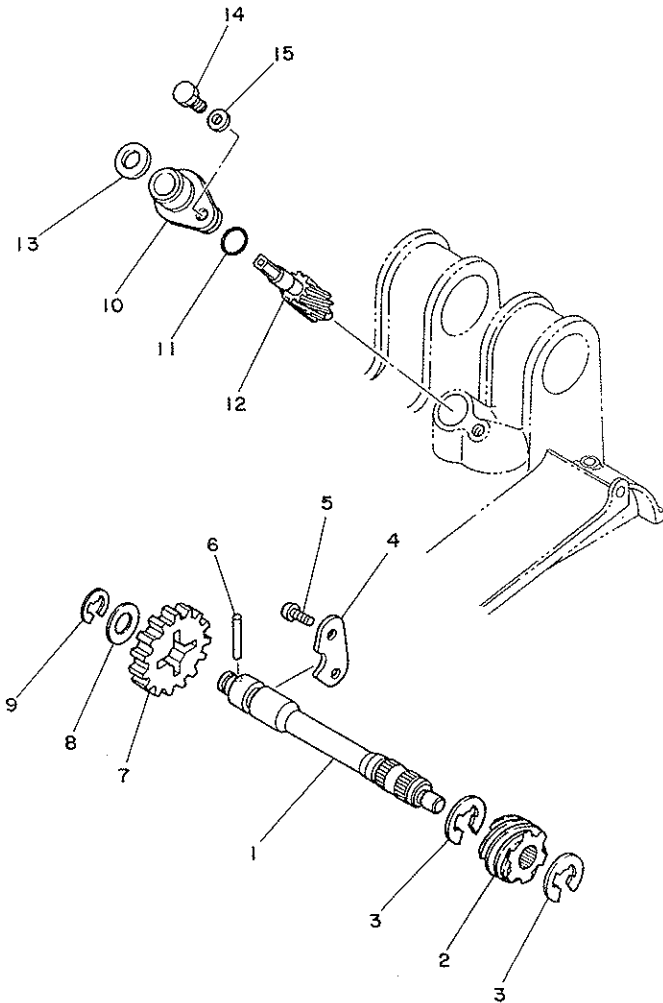


REF. NO.	PART NO.	DESCRIPTION	Q'TY	REMARKS
28	93410-20009	CIRCLIP	1	
29	90201-25490	WASHER, plate	1	
30	93306-30504	BEARING (B6305N)	1	
31	278-17424-01	CIRCLIP 1	1	
32	90387-256H7	COLLAR	1	
33	93102-35054	OIL SEAL	1	
34	1M1-17461-70	SPROCKET, drive (17T)	1	
35	90215-21239	WASHER, lock	1	
36	90179-18020	NUT	1	

29L010-3140

C8

FIG. 15 TACHOMETER GEAR



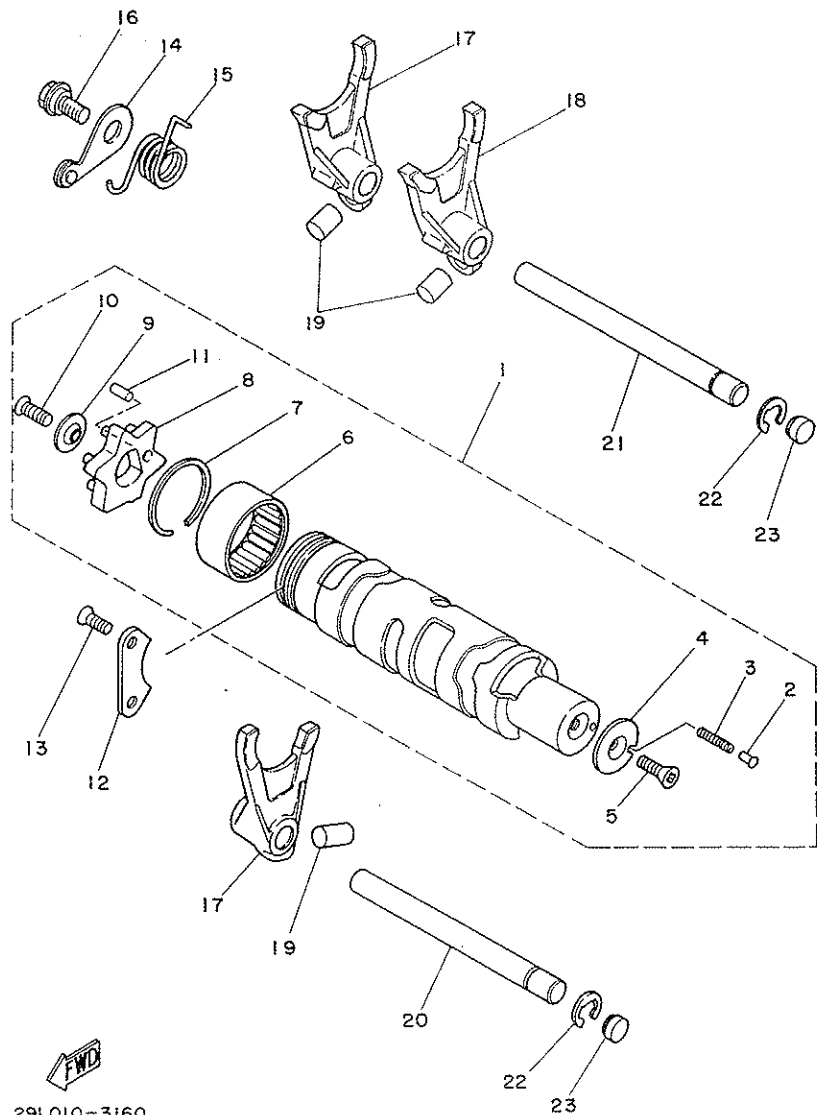
REF. NO.	PART NO.	DESCRIPTION	Q'TY	REMARKS
1	2R8-17861-00	AXLE, drive Gear	1	
2	2R8-17831-00	GEAR, drive (6T)	1	
3	93430-10016	CIRCLIP	2	
4	4L0-17812-00	STOPPER	1	
5	98501-05012	SCREW, Pan head	2	
6	93603-22028	PIN, dowel	1	
7	2R9-17851-00	GEAR, Primary (14T)	1	
8	90201-10135	WASHER, Plate	1	
9	93430-08006	CIRCLIP	1	
10	4L0-17811-00	HOUSING, tachometer Gear	1	
11	93210-12327	O-RING	1	
12	4L0-17841-00	GEAR, driven (13T)	1	
13	4L0-17818-00	GASKET	1	
14	97306-06010	BOLT	1	
15	92906-06600	WASHER, Plate	1	



29L010-3150

C9

FIG. 16 SHIFT CAM-FORK

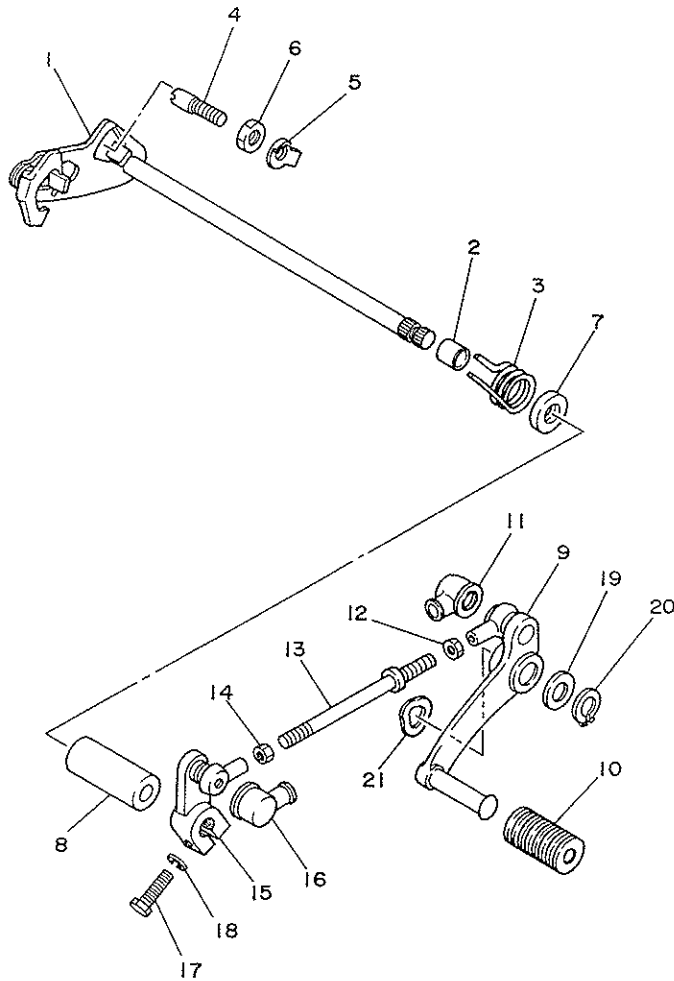


REF. NO.	PART NO.	DESCRIPTION	Q'TY	REMARKS
1	29L-18540-00	SHIFT CAM ASSY	1	
2	278-18542-00	•POINT, neutral	1	
3	90501-06022	•SPRING, compression	1	
4	278-18566-00	•PLATE, side 2	1	
5	98701-05012	•SCREW, flat head	1	
6	93315-23612	•BEARING, cylindrical	1	
7	93440-34025	•CIRCLIP	1	
8	4L0-18185-00	•SEGMENT	1	
9	3R4-18561-00	•PLATE, side 1	1	
10	98701-05016	•SCREW, flat head	1	
11	93604-12037	•PIN, dowel	1	
12	4L0-18562-00	PLATE, stopper 2	1	
13	92701-06015	SCREW, flat head	2	
14	4L0-18140-00	STOPPER LEVER ASSY	1	
15	90508-26452	SPRING, torsion	1	
16	1W1-18177-00	BOLT, stopper	1	
17	4L0-18511-00	FORK, shift 1	2	
18	4L0-18512-00	FORK, shift 2	1	
19	90250-08017	PIN, straight	3	
20	4L0-18531-01	BAR, shift fork guide 1	1	
21	29L-18535-00	BAR, shift fork guide 2	1	
22	93430-08036	CIRCLIP	2	
23	90334-10014	PLUG, straight	2	

FWD
29L010-3160

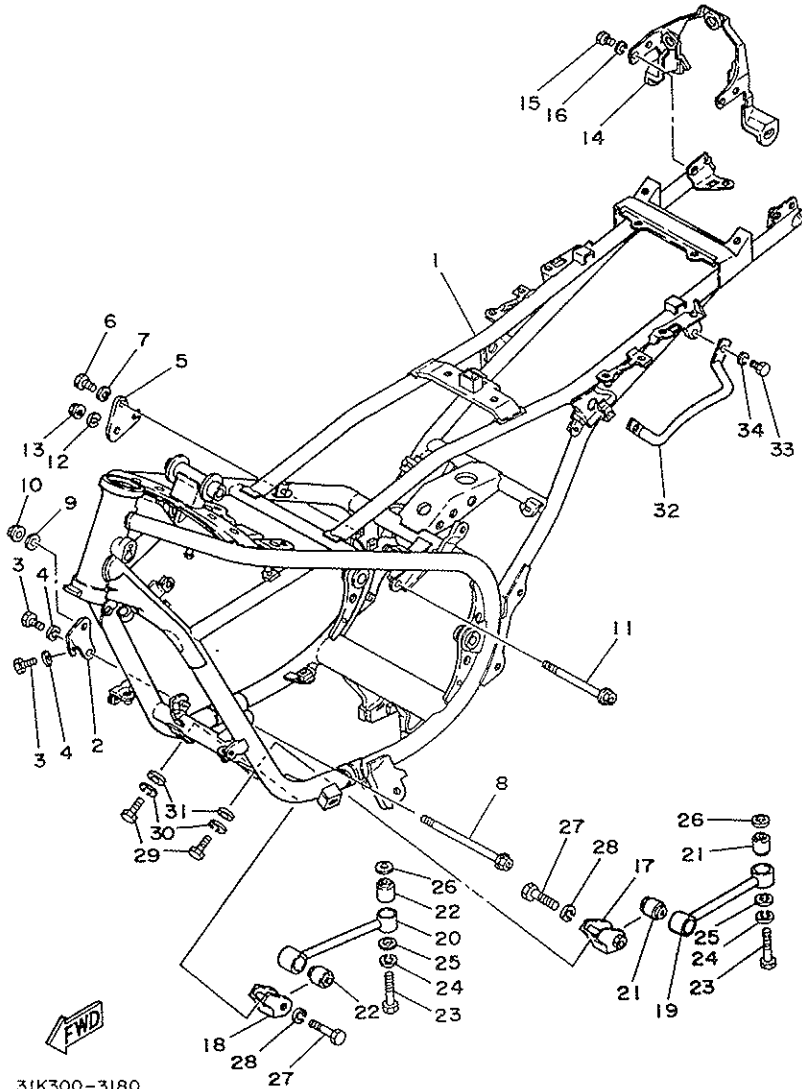
C10

FIG. 17 SHIFT SHAFT PEDAL



REF. NO.	PART NO.	DESCRIPTION	Q'TY	REMARKS
1	4L0-18101-00	SHIFT SHAFT ASSY	1	
2	90560-12171	SPACER	1	
3	90508-32374	SPRING, torsion	1	
4	90149-08094	SCREW	1	
5	90215-08174	WASHER, lock	1	
6	90170-08029	NUT	1	
7	93101-12004	OIL SEAL	1	
8	90387-125A8	COLLAR	1	
9	29L-18111-00	PEDAL, shift	1	
10	132-18113-01	COVER, shift Pedal	1	
11	2H9-18154-00	COVER, dust	1	
12	95303-06700	NUT	1	
13	29L-18115-00	ROD, shift	1	
14	90170-06228	NUT	1	
15	29L-18112-00	ARM, shift	1	
16	2H9-18154-00	COVER, dust	1	
17	97311-06020	BOLT	1	
18	92901-06100	WASHER, spring	1	
19	90201-12174	WASHER, Plate	1	
20	93410-12003	CIRCLIP	1	
21	90206-12074	WASHER, wave	1	

FIG. 18 FRAME

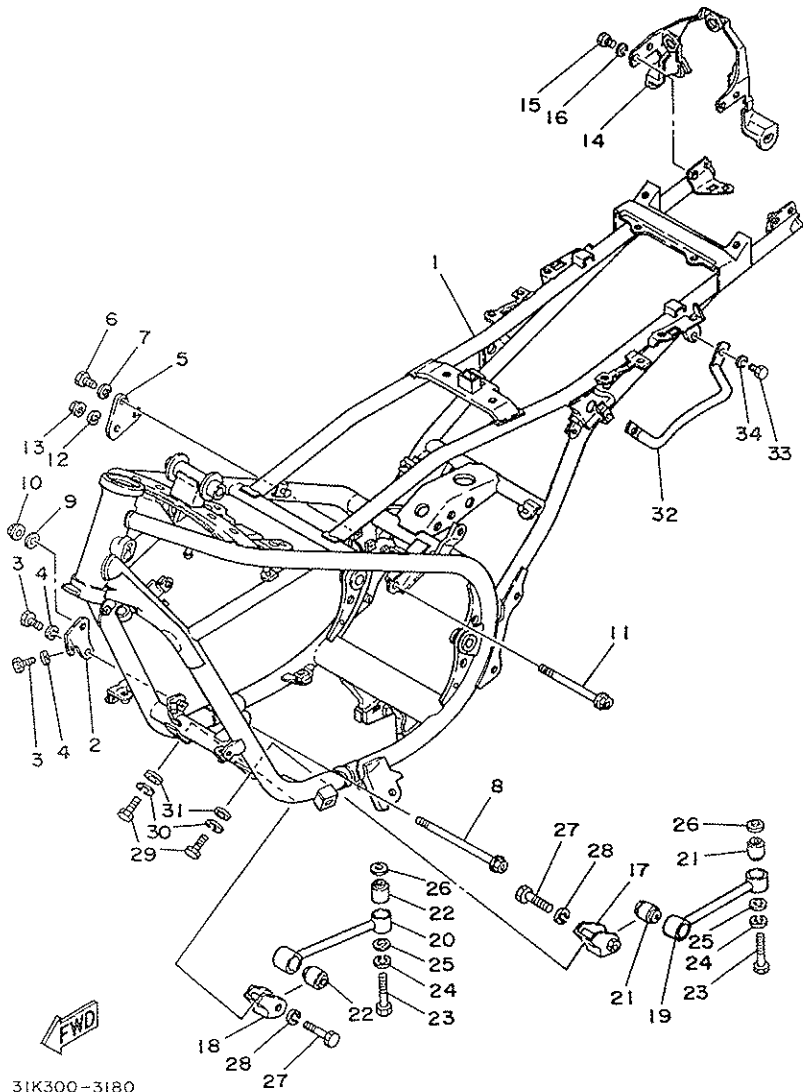


31K300-3180

REF. NO.	PART NO.	DESCRIPTION	Q'TY	REMARKS
1	31K-21110-00-FH	FRAME COMP	1	UR fire red
	31K-21110-00-33	FRAME COMP	1	UR yamaha black
2	29L-21315-01	STAY, engine 2	1	
3	97321-08020	BOLT	2	
4	92901-08100	WASHER, sPring	2	
5	29L-21316-00	STAY, engine 3	1	
6	97321-08020	BOLT	2	
7	92901-08100	WASHER, sPring	2	
8	90105-10053	BOLT, washer based	1	
9	92901-10100	WASHER, sPring	1	
10	95701-10100	NUT, flange	1	
11	90105-10040	BOLT, washer based	1	
12	92901-10100	WASHER, sPring	1	
13	95701-10100	NUT, flange	1	
14	29L-21260-00	REAR FENDER BRACKET COMP.	1	
15	97302-06012	BOLT	4	
16	92902-06100	WASHER, sPring	4	
17	4L0-21317-00	STAY, engine 4	1	
18	4L0-21318-00	STAY, engine 5	1	
19	4L0-21314-00	STAY, engine 1	1	
20	4L0-21319-00	STAY, engine 6	1	
21	4L0-21485-00	DAMPER, rubber 1	2	
22	4L0-21485-00	DAMPER, rubber 1	2	
23	97301-10050	BOLT	2	
24	92901-10100	WASHER, sPring	2	
25	92901-10600	WASHER, Plate	2	
26	92901-10600	WASHER, Plate	2	
27	97301-10040	BOLT	2	

C12

FIG. 18 FRAME

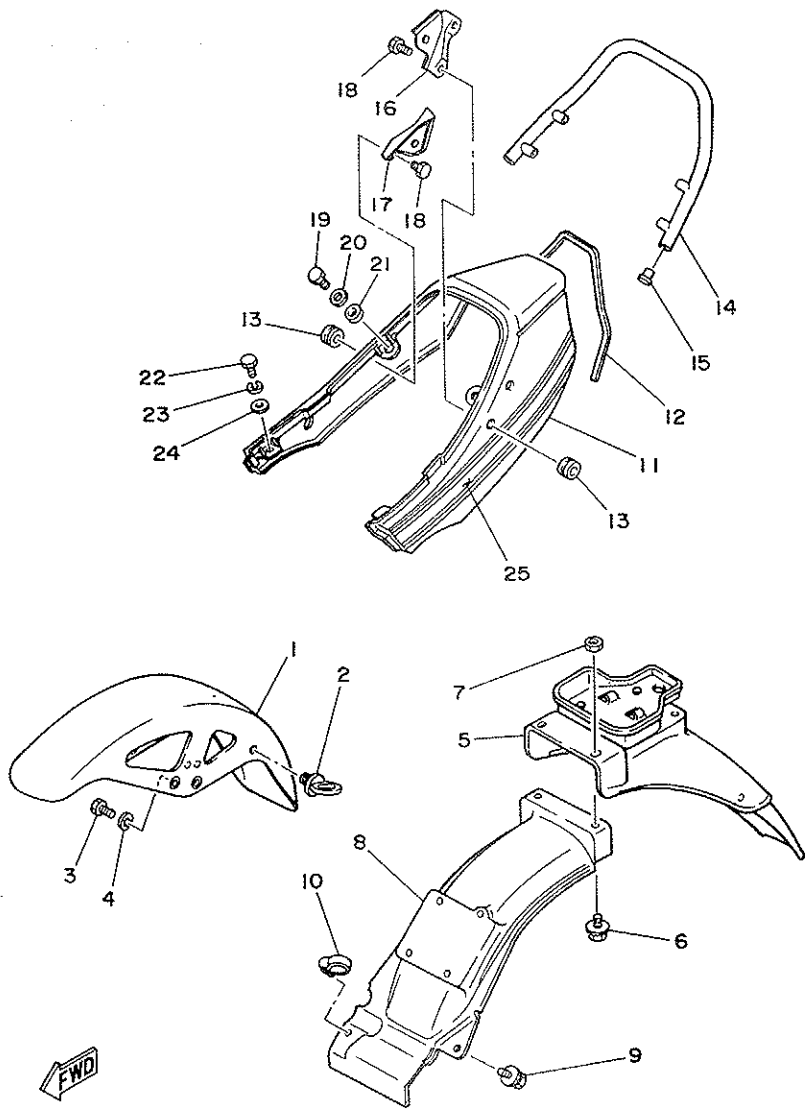


REF. NO.	PART NO.	DESCRIPTION	Q'TY	REMARKS
28	92901-10100	WASHER, sPring	2	
29	97301-08025	BOLT	2	
30	92901-08100	WASHER, sPring	2	
31	92901-08600	WASHER, plate	2	
32	29L-21165-00	HANDLE, standing	1	
33	97301-06016	BOLT	2	
34	92901-06100	WASHER, sPring	2	

31K300-3180

C13

FIG. 19 FRONT FENDER-REAR FENDER



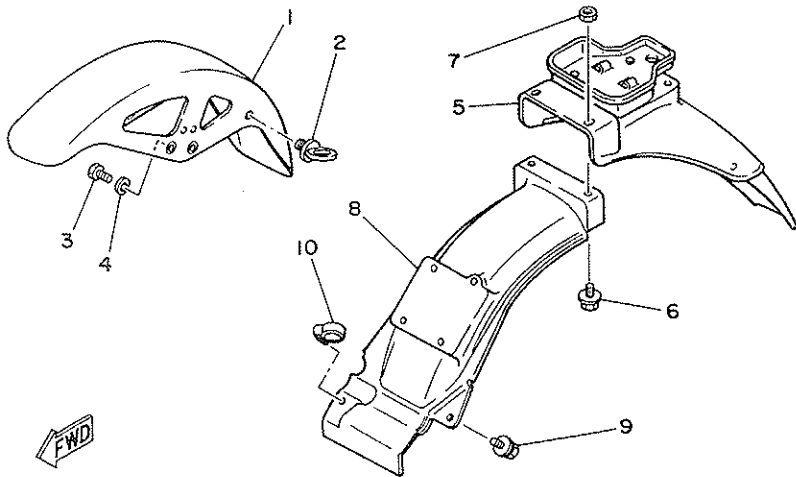
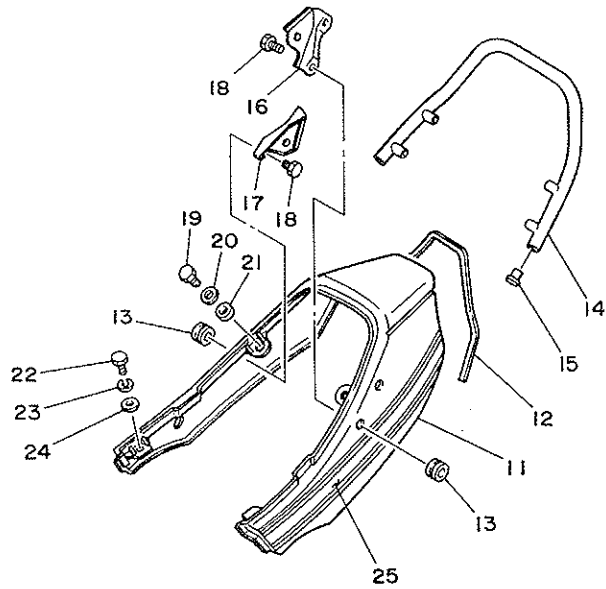
REF. NO.	PART NO.	DESCRIPTION	Q'TY	REMARKS
1	29L-21510-00-E1	FRONT FENDER COMP.	1	UR chappy red
	29L-21510-00-Y9	FRONT FENDER COMP.	1	UR
	29L-21510-00-6G	FRONT FENDER COMP.	1	UR new Pearl white UR new yamaha black
2	1A8-21518-00	HOLDER, cable	1	
3	97301-06020	BOLT	4	
4	92901-06100	WASHER, sPring	4	
5	31K-W2161-00	REAR FENDER COMP.	1	
6	90119-06063	BOLT, with washer	4	
7	95302-06600	NUT	4	
8	29L-21629-00	GUARD, mud	1	
9	90119-06095	BOLT, with washer	1	
10	90464-12027	CLAMP	2	
11	29L-21651-00-Y9	COVER, rear fender	1	UR
	29L-21651-00-6G	COVER, rear fender	1	UR new Pearl white UR new yamaha black
12	29L-28345-00	MOLE 1	1	
13	90480-18366	GROMMET	4	
14	29L-21645-00	STAY, rear	1	
15	90338-15110	PLUG	2	
16	29L-21688-00	BRACKET, rear stay	1	
17	29L-21689-00	BRACKET, rear stay 2	1	
18	97302-08016	BOLT	4	
19	97302-08020	BOLT	2	
20	90201-081A6	WASHER, Plate	2	
21	90387-10567	COLLAR	2	
22	97302-06012	BOLT	2	
23	92902-06100	WASHER, sPring	2	
24	90201-06755	WASHER, Plate	2	
25	31K-21660-00	GRAPHIC	1	UR for nPw(red)

31K300-3190

C14

FIG. 19 FRONT FENDER•REAR FENDER

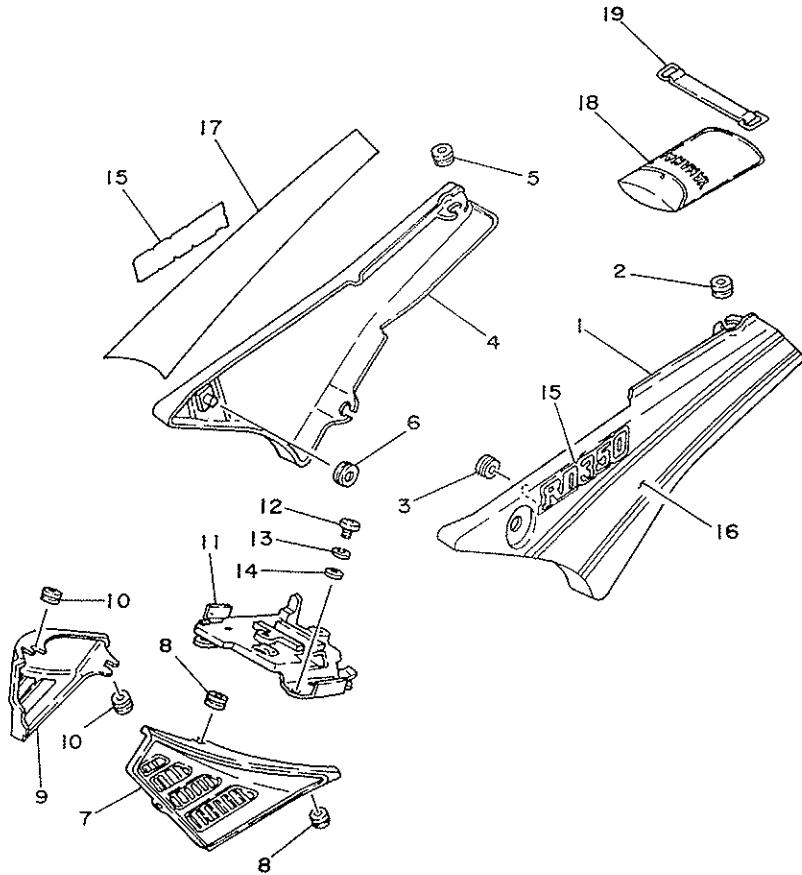
REF. NO.	PART NO.	DESCRIPTION	Q'TY	REMARKS
25	31K-21660-10	GRAPHIC	1	UR for nPw(blue)
	31K-21660-20	GRAPHIC	1	UR for nyb



31K300-3190

C15

FIG. 20 SIDE COVER



REF. NO.	PART NO.	DESCRIPTION	Q'TY	REMARKS
1	29L-21711-00-Y9	COVER, side 1	1	UR
	29L-21711-00-6G	COVER, side 1	1	new Pearl white UR new yamaha black
2	90480-12014	GROMMET	2	
3	90480-13197	GROMMET	1	
4	29L-21721-00-Y9	COVER, side 2	1	UR
	29L-21721-00-6G	COVER, side 2	1	new Pearl white UR new yamaha black
5	90480-12014	GROMMET	2	
6	90480-13197	GROMMET	1	
7	29L-21731-00	COVER, side 3	1	
8	90480-12014	GROMMET	2	
9	29L-21741-00	COVER, side 4	1	
10	90480-12014	GROMMET	2	
11	29L-21243-01	PLATE, bridge	1	
12	97302-06012	BOLT	2	
13	92902-06100	WASHER, spring	2	
14	90201-06755	WASHER, plate	2	
15	31K-21781-00	EMBLEM 1	2	UR for w, nPw
	31K-21781-10	EMBLEM 1	2	UR for nyb
16	29L-2173E-40	GRAPHIC 1	1	UR
	29L-2173E-50	GRAPHIC 1	1	UR
	29L-2173E-30	GRAPHIC 1	1	for nPw(blue) UR for nyb/cPr, nyb
17	29L-2173F-40	GRAPHIC 2	1	UR
	29L-2173F-50	GRAPHIC 2	1	for nPw(red) UR
	29L-2173F-30	GRAPHIC 2	1	for nPw(blue) UR for nyb/cPr, nyb
18	29L-28100-00	TOOL KIT	1	
19	116-82131-00	BAND, battery	1	

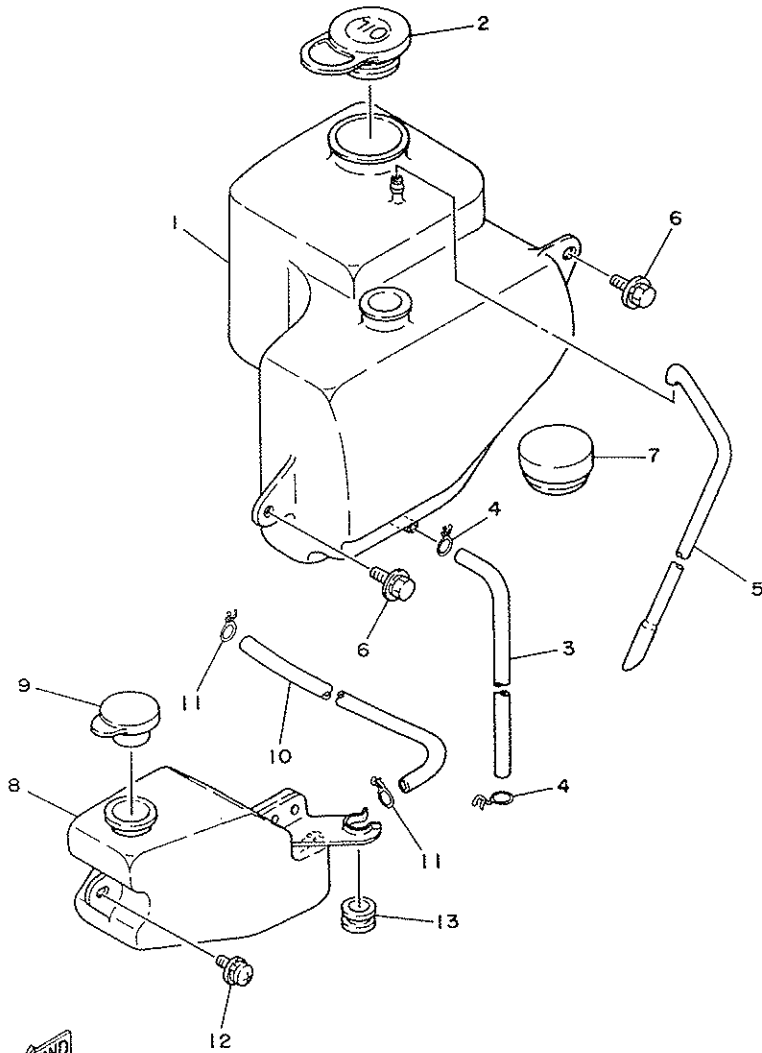


31K300-3200

D2

FIG. 21 OIL TANK

REF. NO.	PART NO.	DESCRIPTION	Q'TY	REMARKS
1	29L-21751-00	TANK, oil	1	
2	10V-21771-00	BODY, cap	1	
3	29L-24316-00	PIPE 6	1	
4	90467-08003	CLIP	2	
5	4L0-24317-01	PIPE 7	1	
6	90119-06063	BOLT, with washer	2	
7	29L-21746-00	DAMPER	1	
8	29L-21870-00	RECOVERY TANK ASSY	1	
9	4L0-21815-01	CAP	1	
10	29L-21766-00	PIPE, oil	1	
11	90467-10008	CLIP	2	
12	90159-06060	SCREW, with washer	1	
13	90480-12320	GROMMET	1	

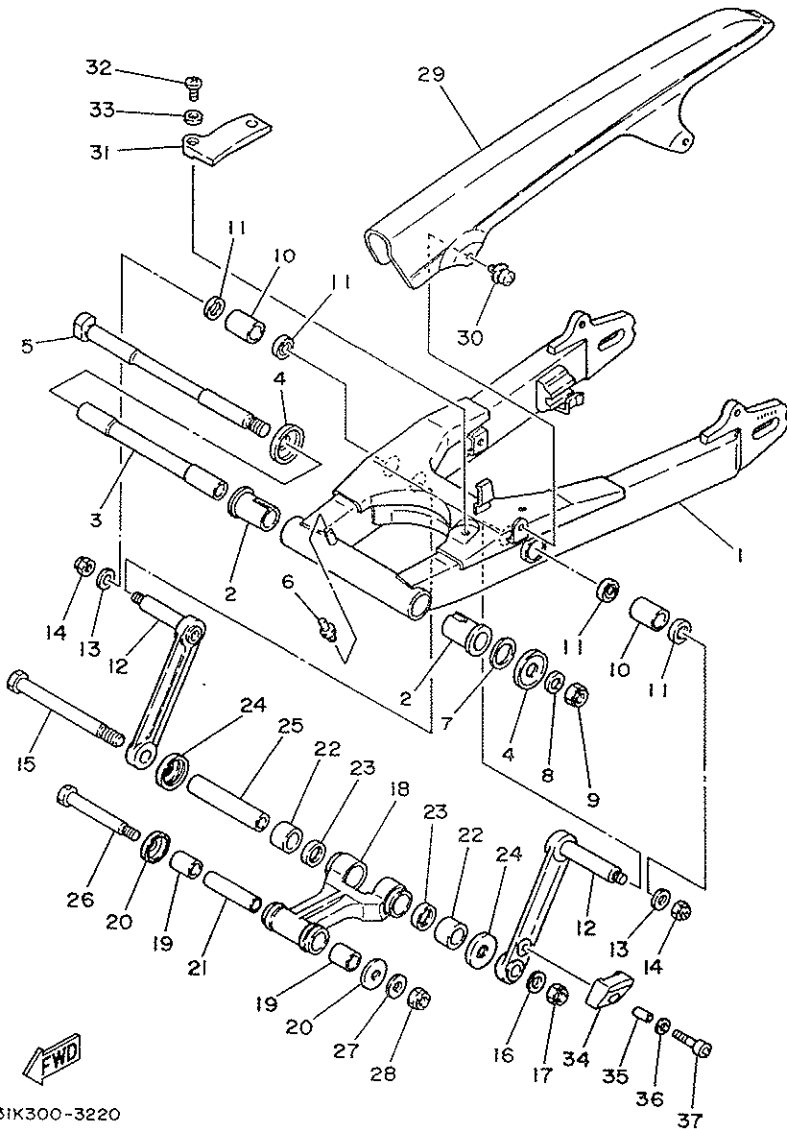


29L010-3210

D3

FIG. 22 REAR ARM

REF. NO.	PART NO.	DESCRIPTION	Q'TY	REMARKS
1	29L-22110-00-35	REAR ARM COMP.	1	silver
2	90386-22127	BUSH	2	
3	29L-22184-00	BUSH	1	
4	447-22128-00	COVER, thrust 1	2	
5	29L-22141-00	SHAFT, Pivot	1	
6	93700-06004	NIPPLE, grease	1	
7	156-22127-00	SHIM (0.3T)	1	UN
8	92901-14600	WASHER	1	
9	90185-14070	NUT, self-locking	1	
10	90386-18117	BUSH	2	
11	93109-18020	OIL SEAL	4	
12	31K-2217M-00-33	ARM 1	2	yamaha black
13	90201-12191	WASHER, Plate	2	
14	95601-12100	NUT, u	2	
15	90101-14585	BOLT	1	
16	92902-14600	WASHER	1	
17	95602-14100	NUT, u	1	
18	31K-2217A-00	ARM, relay	1	
19	90386-18118	BUSH	2	
20	26H-22129-00	COVER, thrust 2	2	
21	90387-127H2	COLLAR	1	
22	90386-20119	BUSH	2	
23	93109-20029	OIL SEAL	2	
24	26H-22128-00	COVER, thrust 1	2	
25	90387-144H4	COLLAR	1	
26	90109-10739	BOLT	1	
27	90201-10126	WASHER, Plate	1	

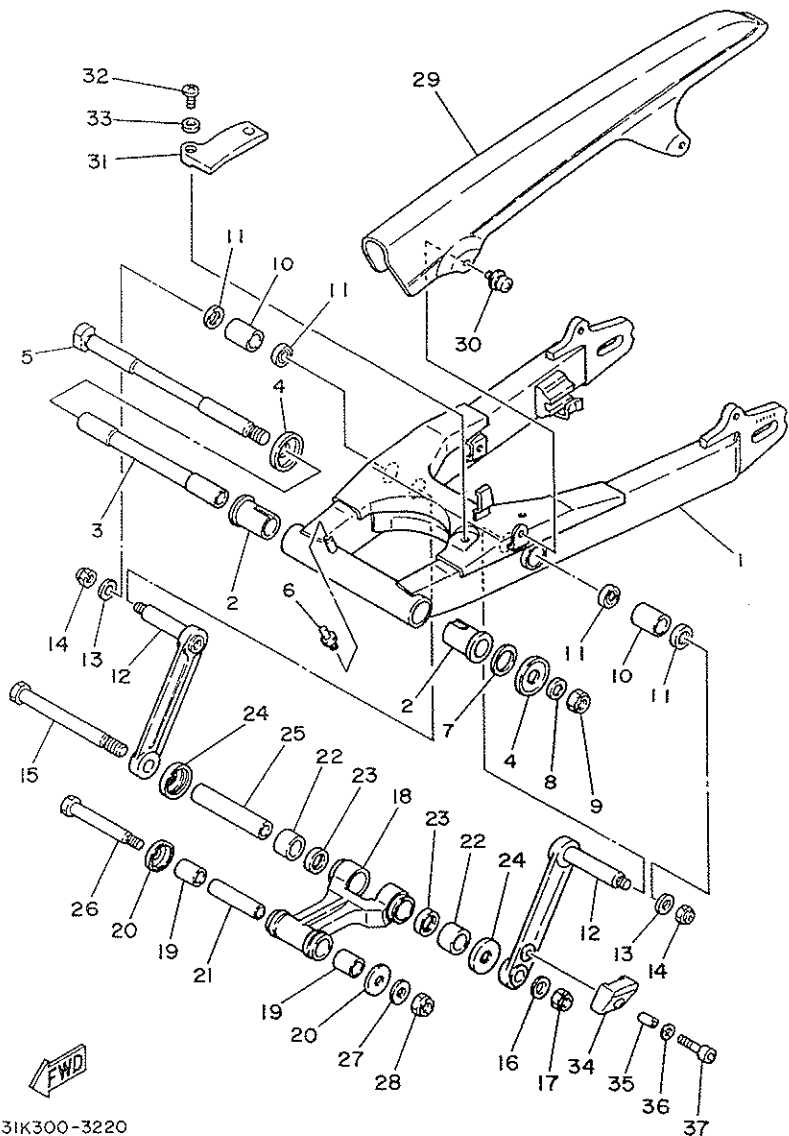


31K300-3220

D4

FIG. 22 REAR ARM

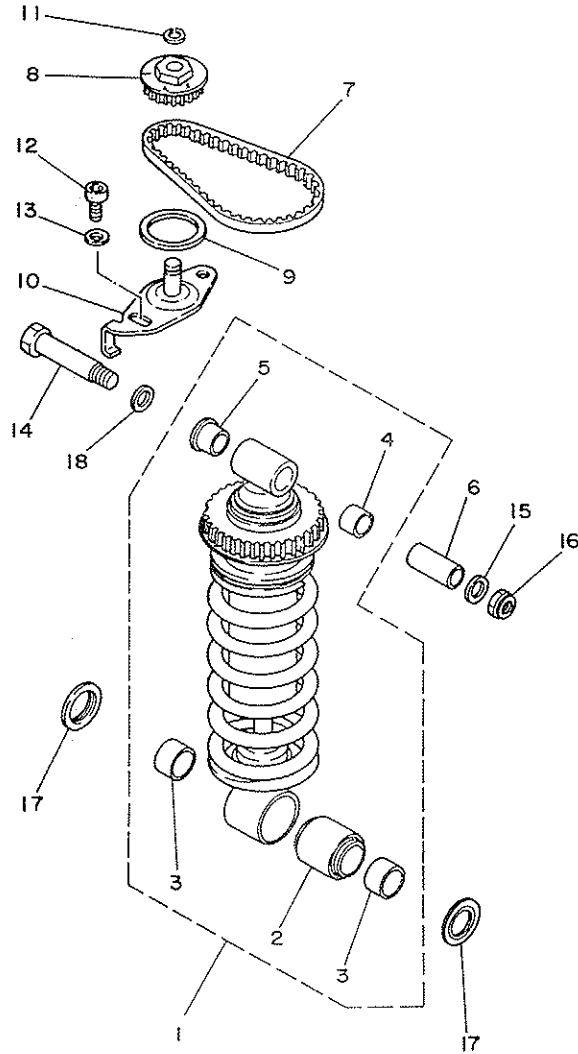
REF. NO.	PART NO.	DESCRIPTION	Q'TY	REMARKS
28	95602-10100	NUT, u	1	
29	29L-22311-00	CASE, chain	1	
30	90159-06084	SCREW, with washer	2	
31	29L-22151-00	SEAL, Guard	1	
32	98501-05010	SCREW, Pan head	2	
33	92901-05600	WASHER, Plate	2	
34	31K-22187-00	GUIDE, chain	1	
35	90387-060G5	COLLAR	1	
36	92901-06200	WASHER, Plain	1	
37	91311-06030	BOLT	1	



31K300-3220

D5

FIG. 23 REAR SUSPENSION



REF. NO.	PART NO.	DESCRIPTION	Q'TY	REMARKS
1	31K-22210-00	SHOCK ABSORBER ASSY, rear	1	
2	29L-22216-00	BUSH, rear shock absorber	1	
3	90380-20123	BUSH, solid	2	
4	90380-16122	BUSH, solid	1	
5	90381-16045	BUSH, solid	1	
6	90387-106H5	COLLAR	1	
7	29L-22266-00	BELT, timing	1	
8	29L-22267-00	PULLEY	1	
9	90201-202H3	WASHER, Plate	1	
10	29L-22268-00	BRACKET, Pulley	1	
11	93440-10123	CIRCLIP	1	
12	91316-08016	BOLT	2	
13	92906-08200	WASHER, Plain	2	
14	90109-10554	BOLT	1	
15	90201-10126	WASHER, Plate	1	
16	95602-10100	NUT, u	1	
17	29L-2217H-00	COVER, dust	2	
18	90201-12729	WASHER, Plate	1	

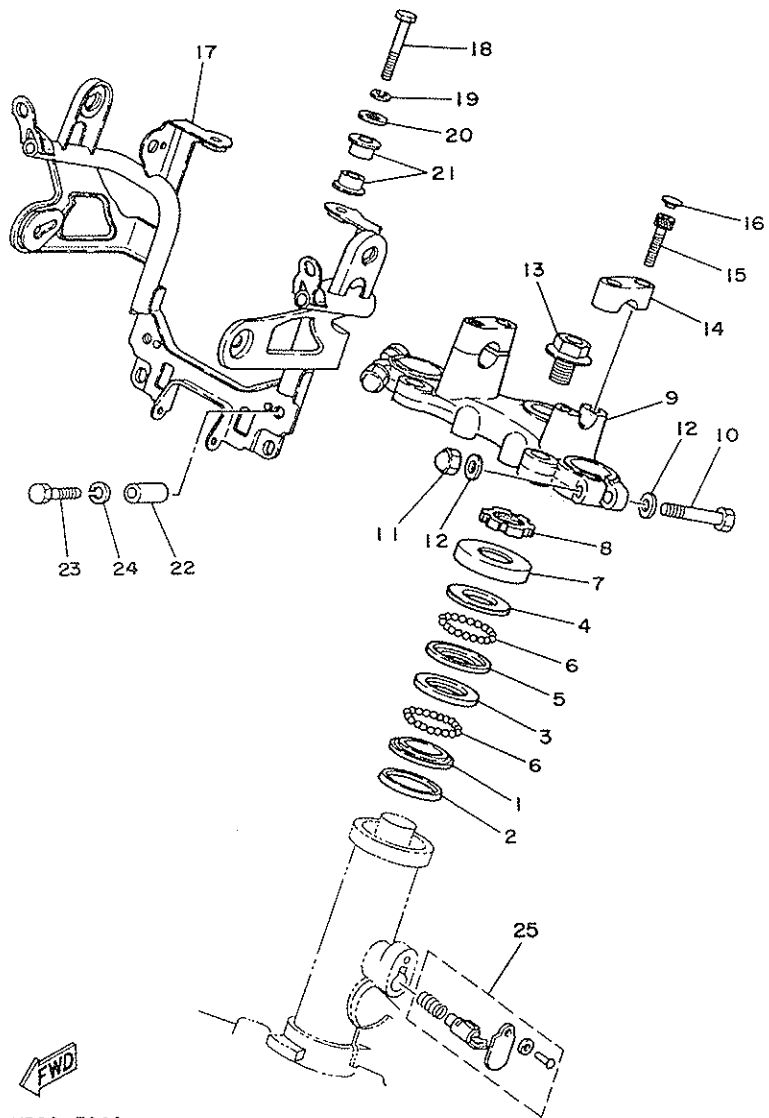
FWD

29L010-3231

D6

FIG. 24 STEERING

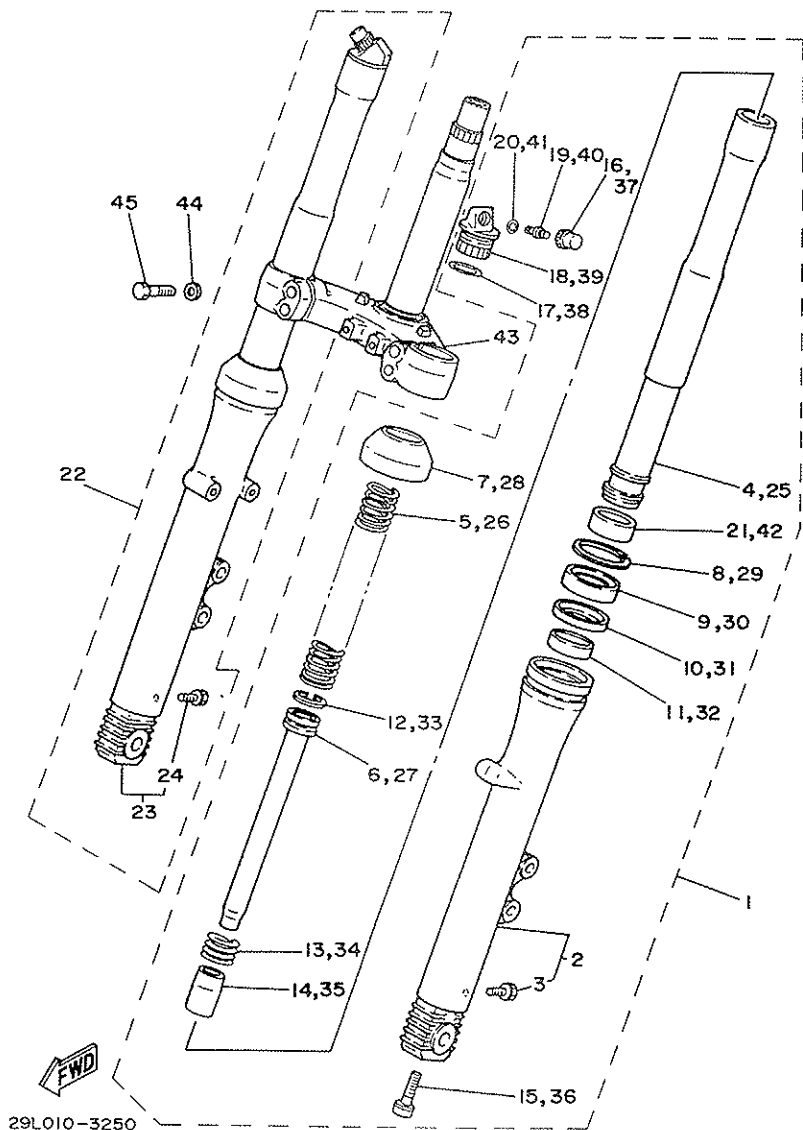
REF. NO.	PART NO.	DESCRIPTION	Q'TY	REMARKS
1	156-23411-00	RACE, ball 1	1	
2	164-23462-00	SEAL, steering	1	
3	156-23412-00	RACE, ball 2	1	
4	183-23411-00	RACE, ball 1	1	
5	183-23412-00	RACE, ball 2	1	
6	93501-04011	BALL	38	
7	136-23415-00	COVER, ball race 1	1	
8	90179-25033	NUT	1	
9	29L-23435-00-98	CROWN, handle	1	low gloss black
10	97326-08050	BOLT	2	
11	95306-08800	NUT	2	
12	92906-08600	WASHER, Plate	4	
13	90105-14102	BOLT, washer based	1	
14	4H7-23441-00-98	HOLDER, handle upper	2	low gloss black
15	91316-08030	BOLT	4	
16	341-23469-00	CAP, bolt	4	
17	29L-23174-00-98	STAY, headlight	1	low gloss black
18	97306-06040	BOLT	2	
19	92906-06100	WASHER, sPring	2	
20	90201-06380	WASHER, Plate	2	
21	584-83541-00	DAMPER	4	
22	90387-06249	COLLAR	2	
23	90101-08592	BOLT	2	
24	92906-08100	WASHER, sPring	2	
25	-	STEERING LOCK ASSY	1	LM



31K300-3240

D7

FIG. 25 FRONT FORK



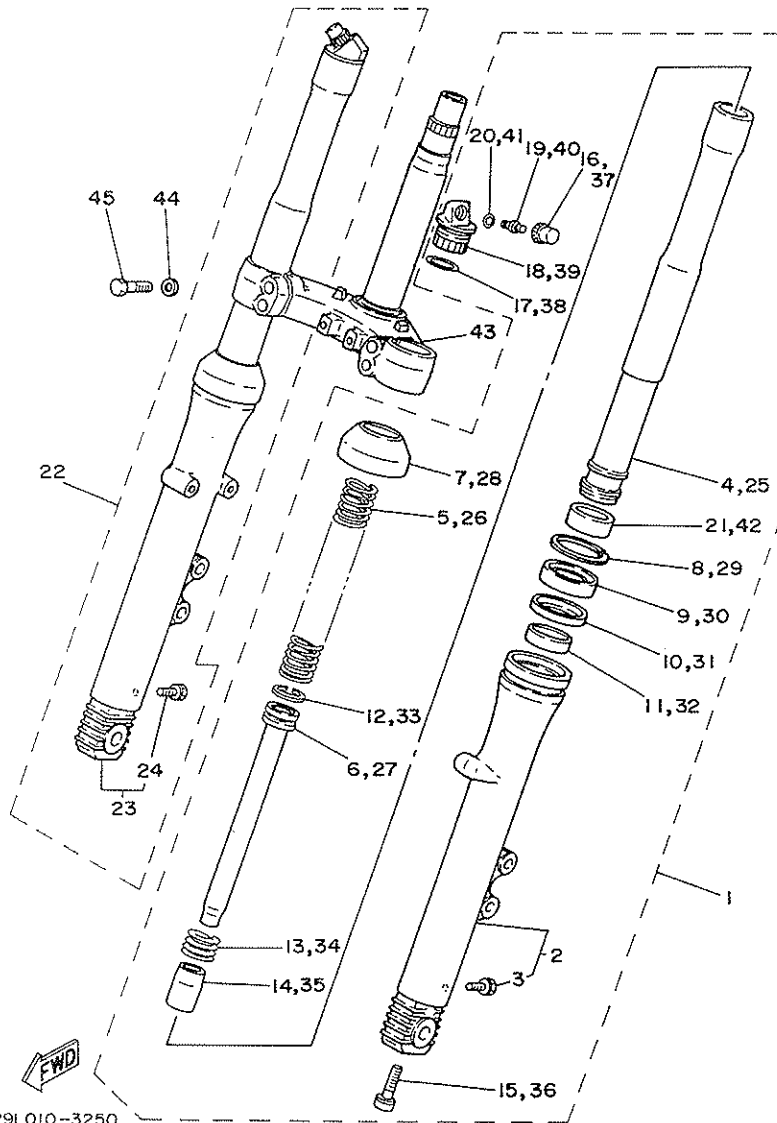
29L010-3250

REF. NO.	PART NO.	DESCRIPTION	QTY	REMARKS
1	31K-23102-00	FRONT FORK ASSY (L.H)	1	
2	29L-23126-00-38	•TUBE, outer 1	1	clear buffing
3	2A6-23119-00	••PLUG, drain	1	
4	29L-23110-00	•INNER TUBE COMP.1	1	
5	31K-23141-00	•SPRING, front fork	1	
6	29L-23171-00	•PISTON, front fork	1	
7	29L-23144-00	•SEAL, dust	1	
8	3J3-23156-00	•CLIP, oil seal	1	
9	29L-23145-00	•OIL SEAL	1	
10	10V-23147-00	•O-RING	1	
11	12R-23135-00	•METAL, slide 2	1	
12	1T4-23157-01	•RING, piston	1	
13	10M-23151-00	•SPRING, rebound	1	
14	10V-23166-00	•SPACER, oil lock	1	
15	3M7-23181-00	•BOLT, hexagon socket head	1	
16	27H-23184-00	•CAP, air valve	1	
17	27H-23147-00	•O-RING	1	
18	27H-23111-00	•BOLT, cap	1	
19	5K7-23190-00	•AIR VALVE COMP.	1	
20	3H3-23147-00	•O-RING	1	
21	10V-23135-00	•METAL, slide 2	1	
22	31K-23103-00	FRONT FORK ASSY (R.H)	1	
23	29L-23136-00-38	•TUBE, outer 2	1	clear buffing
24	2A6-23119-00	••PLUG, drain	1	
25	29L-23110-00	•INNER TUBE COMP.1	1	
26	31K-23141-00	•SPRING, front fork	1	
27	29L-23171-00	•PISTON, front fork	1	
28	29L-23144-00	•SEAL, dust	1	

D8

FIG. 25 FRONT FORK

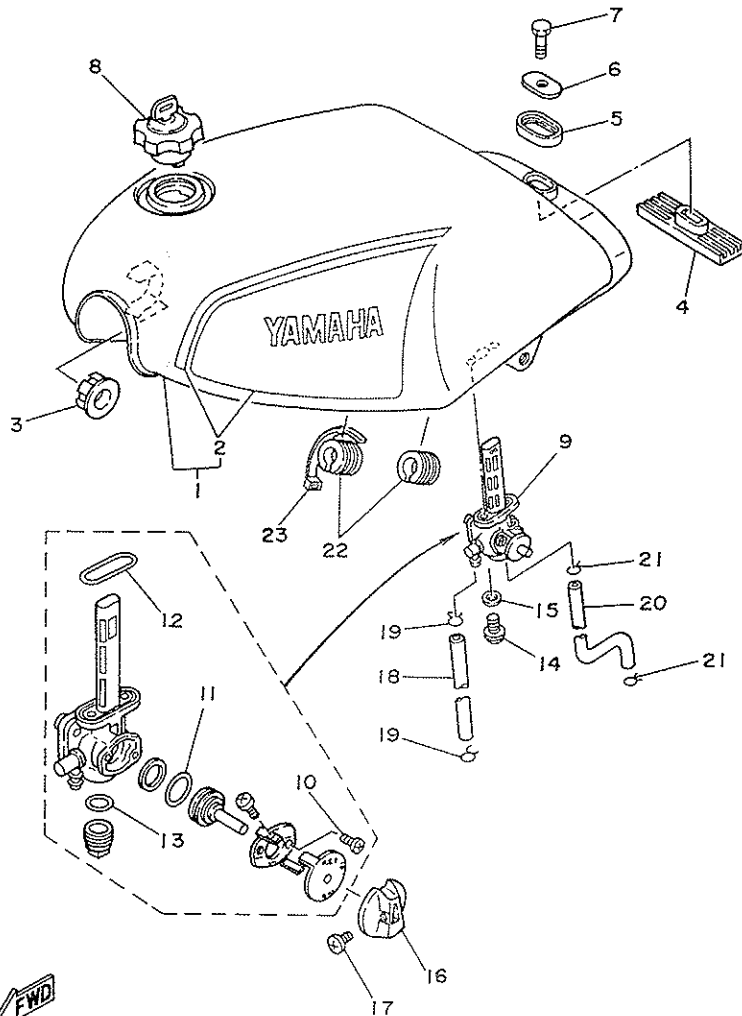
REF. NO.	PART NO.	DESCRIPTION	Q'TY	REMARKS
29	3J3-23156-00	•CLIP, oil seal	1	
30	29L-23145-00	•OIL SEAL	1	
31	10V-23147-00	•O-RING	1	
32	12R-23135-00	•METAL, slide 2	1	
33	1T4-23157-01	•RING, piston	1	
34	10M-23151-00	•SPRING, rebound	1	
35	10V-23166-00	•SPACER, oil lock	1	
36	3M7-23181-00	•BOLT, hexagon socket head	1	
37	27H-23184-00	•CAP, air valve	1	
38	27H-23147-00	•O-RING	1	
39	27H-23111-00	•BOLT, cap	1	
40	5K7-23190-00	•AIR VALVE COMP.	1	
41	3H3-23147-00	•O-RING	1	
42	10V-23135-00	•METAL, slide 2	1	
43	31K-23340-30	UNDER BRACKET COMP.	1	
44	3J3-23159-00	WASHER, spring lower	2	
45	29L-23346-00	BOLT 1	2	



29LO10-3250

D9

FIG. 26 FUEL TANK



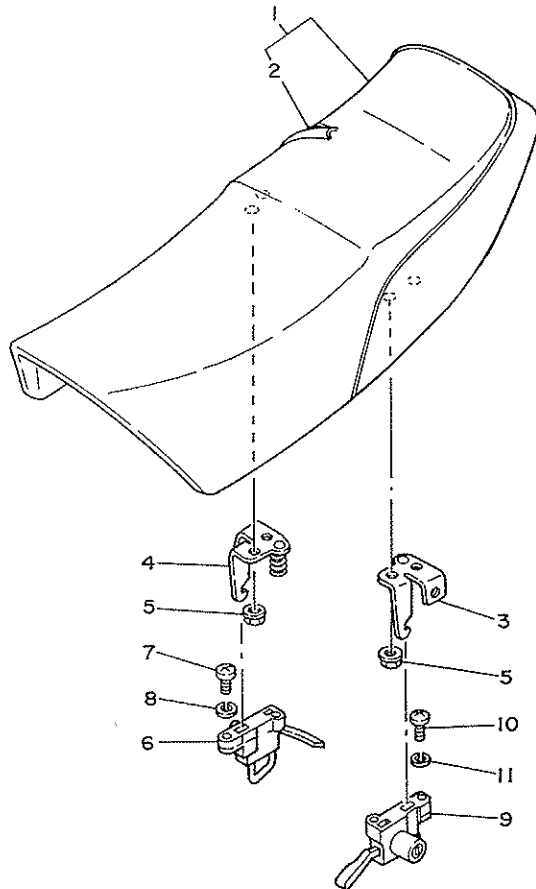
REF. NO.	PART NO.	DESCRIPTION	Q'TY	REMARKS
1	29L-24110-00-07	FUEL TANK COMP.	1	UR new Pearl white (red)
	29L-24110-00-08	FUEL TANK COMP.	1	UR new Pearl white (blue)
	29L-24110-00-09	FUEL TANK COMP.	1	UR new yamaha black
2	31K-24240-00	•GRAPHIC SET	1	UR
	31K-24240-10	•GRAPHIC SET	1	for spw(red)
	31K-24240-20	•GRAPHIC SET	1	UR for spw(blue)
3	156-24181-00	DAMPER, locating 1	2	
4	29L-24182-00	DAMPER, locating 2	1	
5	3Y6-24183-00	DAMPER, locating 3	1	
6	12R-24186-00	WASHER, special	1	
7	97302-08030	BOLT	1	
8	11H-24602-00	CAP ASSY	1	
9	29L-24500-01	FUEL COCK ASSY 1	1	
10	98501-03008	•SCREW, Pan head	4	
11	3H3-24534-00	•O-RING	1	
12	2W6-24512-00	•O-RING	1	
13	4X8-24565-00	•GASKET	1	
14	90149-06011	SCREW	2	
15	90202-06010	WASHER, Plate	2	
16	29L-24524-01	LEVER, cock	1	
17	98506-03008	SCREW, Pan head	1	
18	90445-11764	HOSE	1	
19	90467-10008	CLIP	2	
20	29L-2416A-00	HOSE	1	
21	90467-08075	CLIP	2	
22	1J7-24183-02	DAMPER, locating 3	4	
23	5Y9-12491-00	CLAMP 1	4	

31K300-3260

DIO

FIG. 27 SEAT

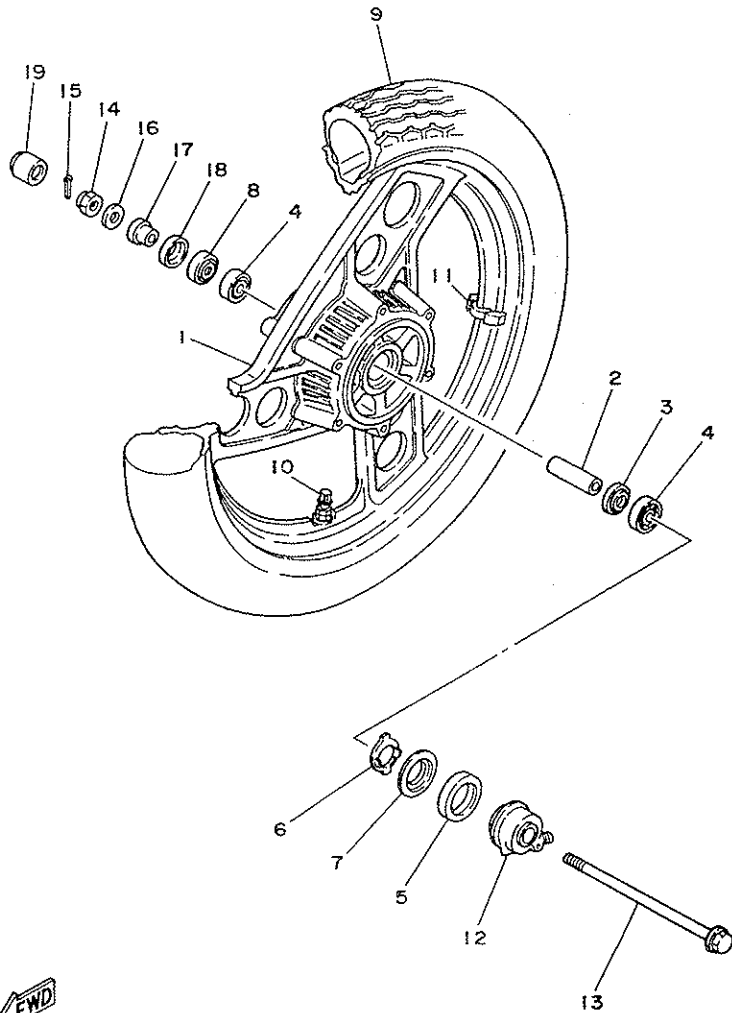
REF. NO.	PART NO.	DESCRIPTION	Q'TY	REMARKS
1	31K-W2472-00	DOUBLE SEAT ASSY	1	
2	31K-24731-00	COVER, seat	1	
3	29L-24728-00	BRACKET, seat	1	
4	29L-24738-00	BRACKET, seat	1	
5	95702-06100	NUT, flange	4	
6	29L-24705-00	SEAT LOCK ASSY	1	
7	92502-06016	SCREW, Pan head	2	
8	92902-06100	WASHER, sPring	2	
9	31A-24705-00	SEAT LOCK ASSY	1	
10	92502-06016	SCREW, Pan head	2	
11	92902-06100	WASHER, sPring	2	



31K300-3270

D11

FIG. 28 FRONT WHEEL



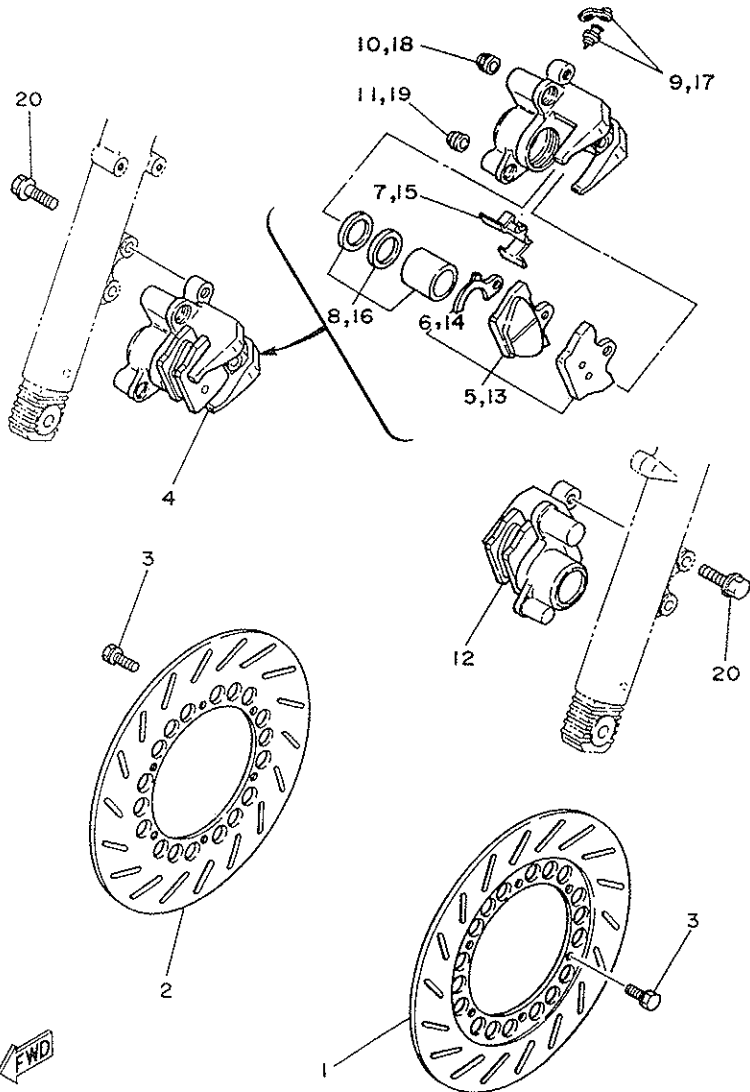
REF. NO.	PART NO.	DESCRIPTION	Q'TY	REMARKS
1	29L-25168-00-98	CAST WHEEL, front	1	low gloss black
2	90387-123A9	COLLAR	1	
3	2U2-25315-00	FLANGE, spacer	1	
4	93306-30103	BEARING (B6301Z)	2	
5	93105-45017	OIL SEAL	1	
6	341-25149-00	CLUTCH, meter	1	
7	341-25846-00	RETAINER, clutch	1	
8	93106-20002	OIL SEAL	1	
9	94109-187A8	TIRE	1	UR dunlop
	94109-187A9	TIRE	1	UR yokohama
10	93900-00003	VALVE, rim	1	UR dunlop
	93900-00002	VALVE, rim	1	UR yokohama
11	29L-25398-00	BALANCER, wheel (10G)	1	UN
	29L-25398-10	BALANCER, wheel (20G)	1	UN
	29L-25398-20	BALANCER, wheel (30G)	1	UN
12	4L0-25190-00	GEAR UNIT ASSY	1	
13	4L0-25181-00	AXLE, wheel	1	
14	90171-12015	NUT, castle	1	
15	91401-30025	PIN, cotter	1	
16	92901-12200	WASHER, plain	1	
17	90387-12670	COLLAR	1	
18	481-25118-01	COVER, hub dust	1	
19	478-25188-00	CAP	1	

FWD

31K300-3280

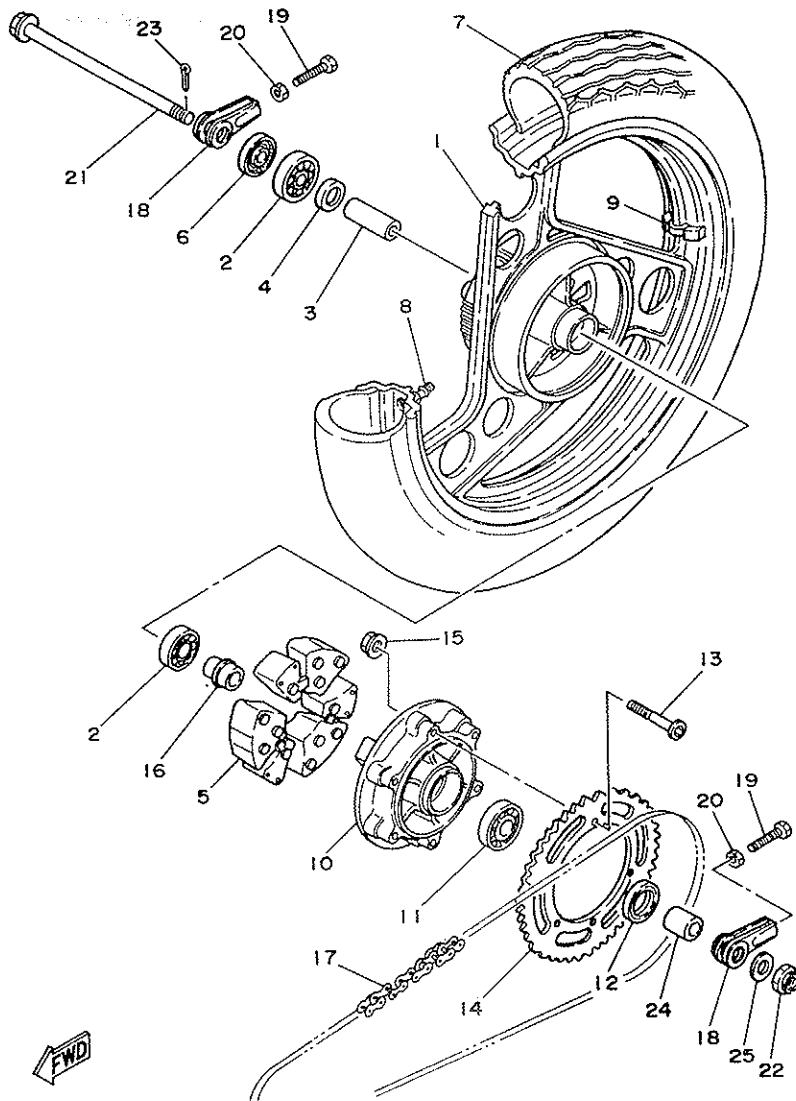
D12

FIG. 29 FRONT BRAKE CALIPER



REF. NO.	PART NO.	DESCRIPTION	Q'TY	REMARKS
1	29L-25831-10	DISC, brake	1	
2	29L-25831-00	DISC, brake	1	
3	90109-08718	BOLT	12	
4	29L-25810-00	CALIPER ASSY (RIGHT)	1	
5	29L-W0045-00	•BRAKE PAD KIT, front	1	
6	11U-25827-00	••SHIM, caliPer	1	
7	11H-25919-00	•SUPPORT, Pad	1	
8	4X8-W0057-00	•PISTON ASSY, caliPer	1	
9	404-W0048-30	•BREED SCREW KIT	1	
10	4X8-25917-00	•BOOT, caliPer	1	
11	5R2-25937-00	•BOOT 2	1	
12	29L-25810-10	CALIPER ASSY (LEFT)	1	
13	29L-W0045-10	•BRAKE PAD KIT, front	1	
14	11U-25827-10	••SHIM, caliPer	1	
15	11H-25919-00	•SUPPORT, Pad	1	
16	4X8-W0057-00	•PISTON ASSY, caliPer	1	
17	404-W0048-30	•BREED SCREW KIT	1	
18	4X8-25917-00	•BOOT, caliPer	1	
19	5R2-25937-00	•BOOT 2	1	
20	90105-10259	BOLT, washer based	4	

FIG. 30 REAR WHEEL



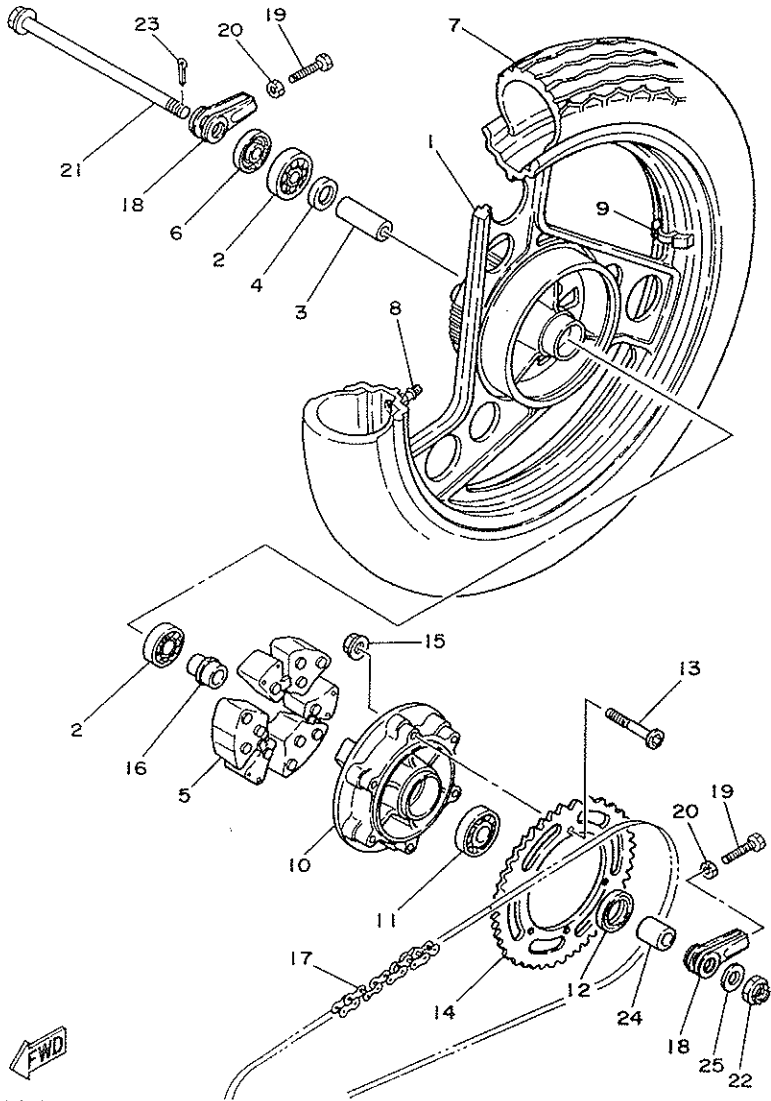
29L010-3300

D14

REF. NO.	PART NO.	DESCRIPTION	Q'TY	REMARKS
1	29L-25338-20-98	CAST WHEEL, rear	1	low gloss black
2	93306-30206	BEARING (B6302ZZ)	2	
3	90387-154A0	COLLAR	1	
4	2R6-25115-00	FLANGE, sPacer 1	1	
5	29L-25364-00	DAMPER	3	
6	93102-22014	OIL SEAL	1	
7	94111-180E1	TIRE	1	UR dunlop
	94111-180E2	TIRE	1	UR yokohama
8	93900-00003	VALVE, rim	1	UR dunlop
	93900-00002	VALVE, rim	1	UR yokohama
9	29L-25398-00	BALANCER, wheel (10G)	1	UN
	29L-25398-10	BALANCER, wheel (20G)	1	UN
	29L-25398-20	BALANCER, wheel (30G)	1	UN
10	29L-25366-00	CLUTCH, hub	1	
11	93306-30416	BEARING (B6304RS)	1	
12	93102-32298	OIL SEAL	1	
13	90110-08057	BOLT, hexagon socket head	6	
14	31K-25439-20-33	SPROCKET, driven (39T)	1	yamaha black
15	90185-08113	NUT, self-locking	6	
16	4L0-25377-00	COLLAR, wheel	1	
17	94580-51106	CHAIN	1	
18	4L0-25389-00	PULLER, chain 2	2	
19	90101-08034	BOLT	2	
20	95301-08700	NUT	2	
21	29L-25381-00	AXLE, wheel	1	
22	90171-14020	NUT, castle	1	
23	91401-30030	PIN, cotter	1	
24	90387-157A2	COLLAR	1	

FIG. 30 REAR WHEEL

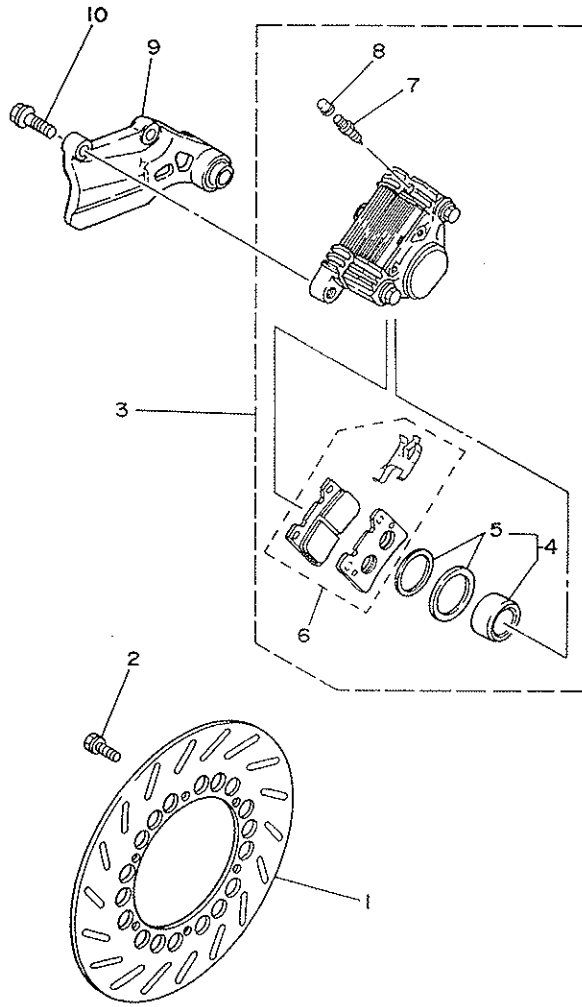
REF. NO.	PART NO.	DESCRIPTION	Q'TY	REMARKS
25	92901-14200	WASHER, Plain	1	



FWD
29L010-3300

D15

FIG. 31 REAR BRAKE CALIPER



REF. NO.	PART NO.	DESCRIPTION	Q'TY	REMARKS
1	29L-25831-00	DISC, brake	1	
2	90109-08718	BOLT	6	
3	29L-25810-50	CALIPER ASSY	1	
4	26H-W0057-00	•PISTON ASSY, caliPer	1	
5	26H-W0047-00	••CALIPER SEAL KIT	1	
6	29L-W0046-00	•BRAKE PAD KIT, rear	1	
7	31A-25824-00	•SCREW, breed	1	
8	306-25825-01	•CAP	1	
9	29L-25819-00-98	BRACKET, caliPer	1	low gloss black
10	90105-10259	BOLT, washer based	2	

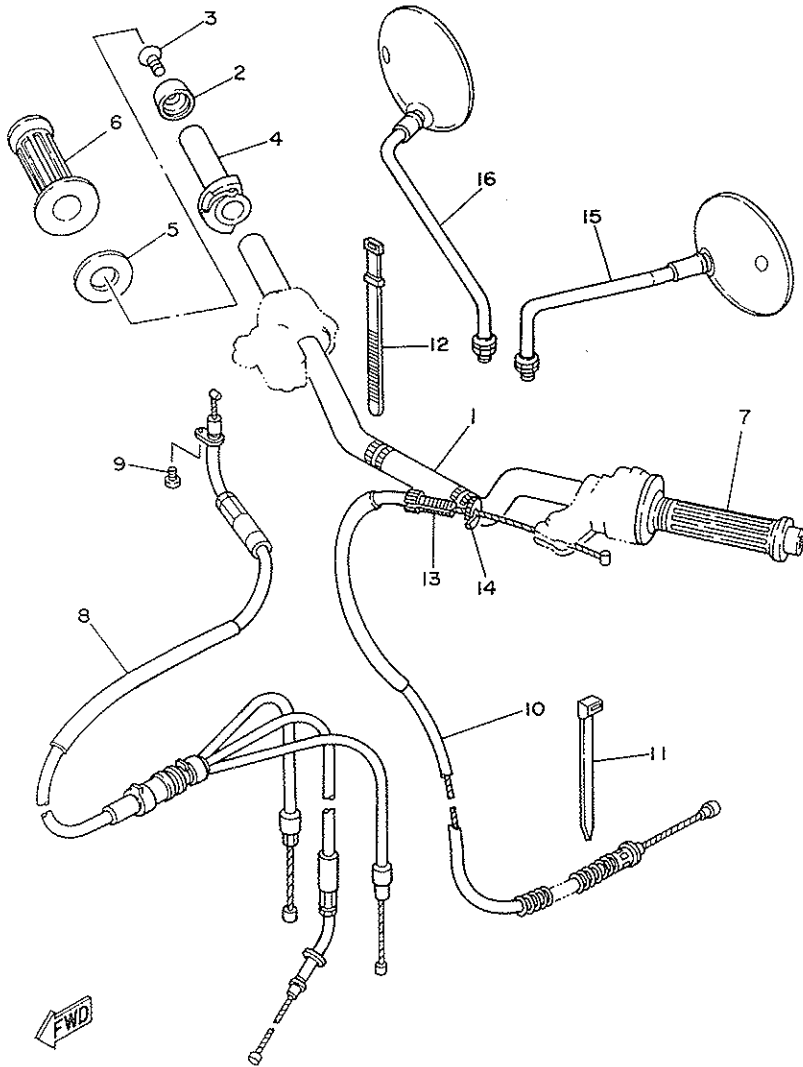
FWD

29L010-3311

E2

FIG. 32 HANDLEBAR CABLE

REF. NO.	PART NO.	DESCRIPTION	Q'TY	REMARKS
1	29L-26111-00	HANDLEBAR	1	
2	29L-26246-00	END, grip	2	
3	92706-06030	SCREW, flat head	2	
4	29L-26243-00	TUBE, throttle guide	1	
5	2H7-26249-00	RING, leaf	1	
6	31A-26242-00	GRIP (R.H)	1	
7	31A-26241-00	GRIP (L.H)	1	
8	29L-26260-00	CABLE ASSY, throttle & Pump	1	
9	98506-05008	SCREW, Pan head	1	
10	29L-26335-00	CABLE, clutch	1	
11	5Y9-12491-00	CLAMP 1	1	
12	437-83936-00	BAND, switch cord	1	
13	90123-08083	BOLT	1	
14	90179-08316	NUT	1	
15	4L0-26280-10	BACK MIRROR ASSY	1	
16	4L0-26290-00	BACK MIRROR ASSY	1	

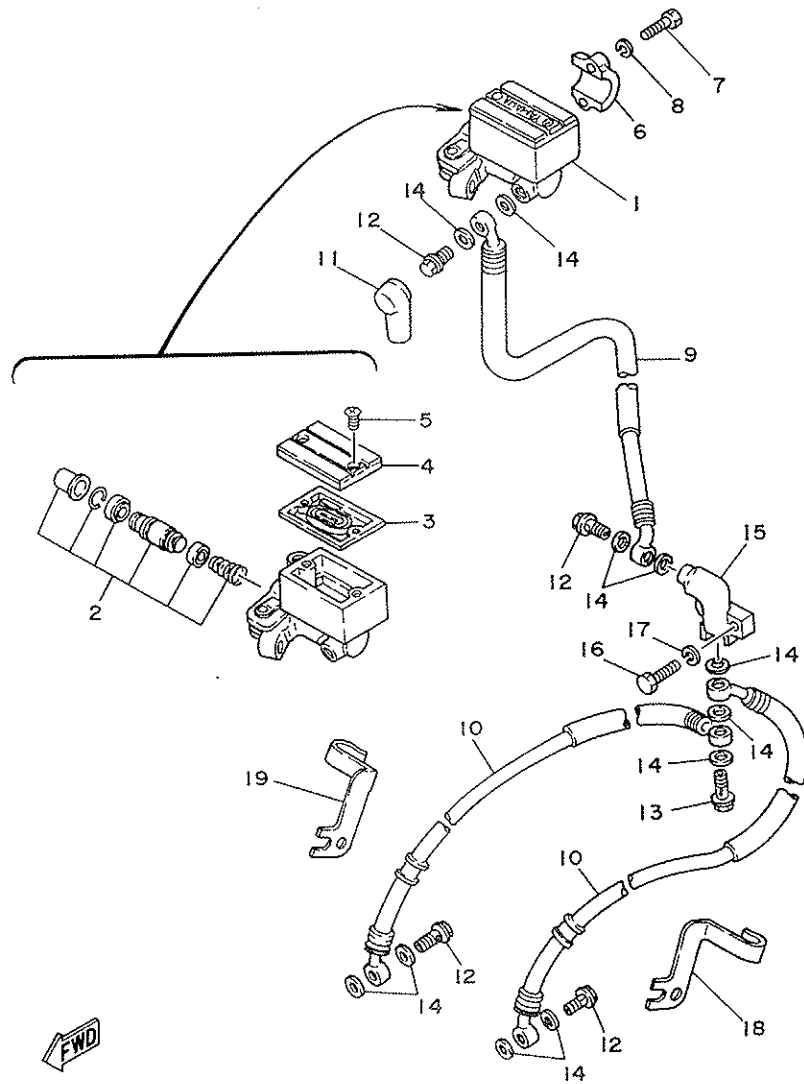


FWD

31K300-3320

E3

FIG. 33 FRONT MASTER CYLINDER



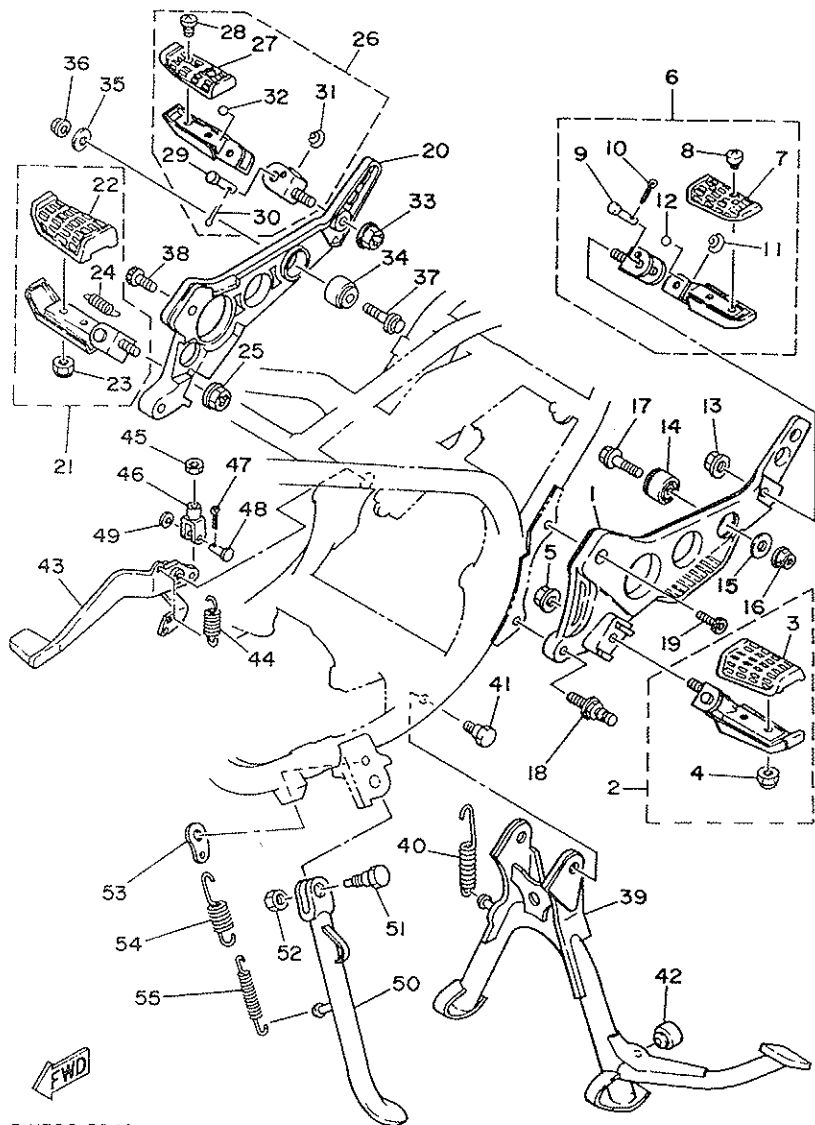
REF. NO.	PART NO.	DESCRIPTION	Q'TY	REMARKS
1	4K0-25850-01	MASTER CYLINDER ASSY	1	
2	4K0-W0041-00	•CYLINDER KIT, master	1	
3	4K0-25854-00	•DIAPHRAGM, reservoir	1	
4	4K0-25852-00	•CAP, reservoir	1	
5	98706-04012	•SCREW, flat head	2	
6	4L0-25867-00	BRACKET, master cylinder	1	
7	97326-06025	BOLT	2	
8	92906-06100	WASHER, sPring	2	
9	29L-25872-00	HOSE, brake 1	1	
10	29L-25873-00	HOSE, brake 2	2	
11	4L0-25862-00	BOOT, master cylinder	1	
12	90401-10034	BOLT, union	4	
13	90401-10044	BOLT, union	1	
14	90201-10118	WASHER, Plate	11	
15	1J7-25885-01	JOINT	1	
16	97306-06025	BOLT	1	
17	92906-06100	WASHER, sPring	1	
18	11H-25875-10	HOLDER, brake hose 1	1	
19	11U-25875-00	HOLDER, brake hose 1	1	



29L010- 3330

E4

FIG. 34 STAND-FOOTREST

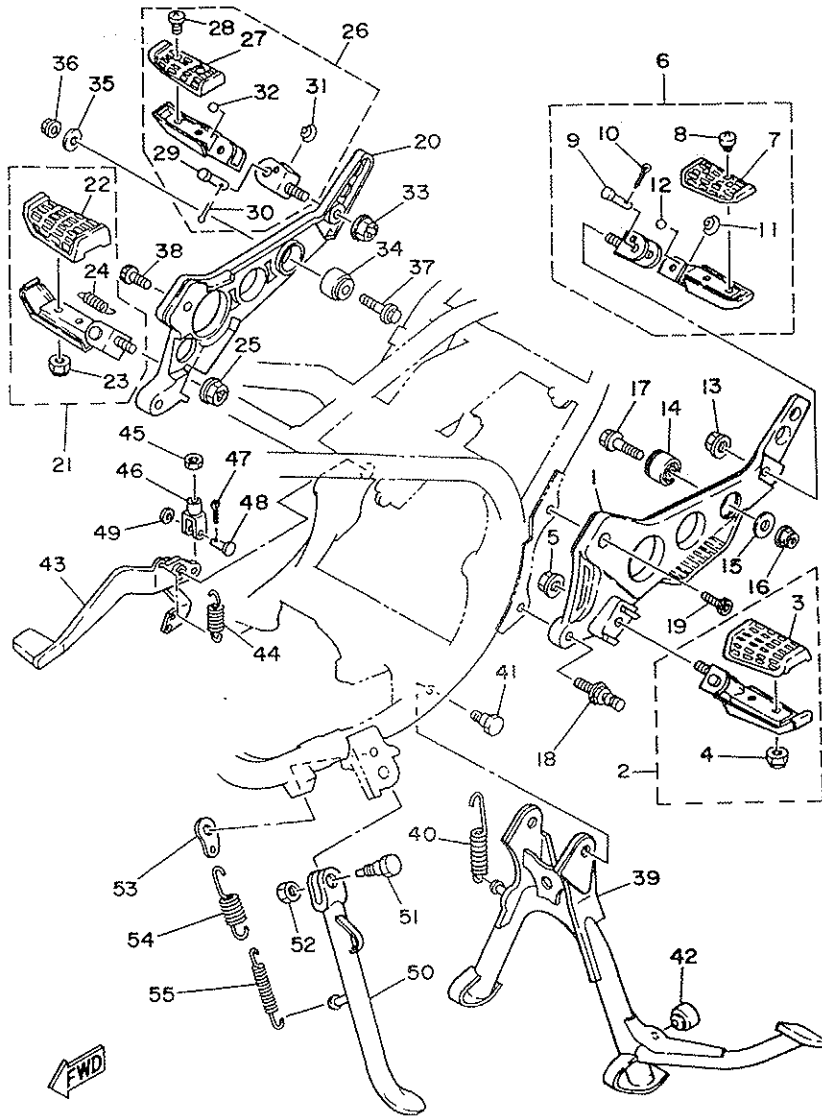


REF. NO.	PART NO.	DESCRIPTION	Q'TY	REMARKS
1	29L-27442-01	BRACKET 2	1	
2	29L-27410-00	FRONT FOOTREST ASSY (L.H)	1	
3	22N-27413-00	•COVER, footrest	1	
4	95601-06100	•NUT, u	2	
5	90185-10115	NUT, self-locking	1	
6	29L-27430-00	REAR FOOTREST ASSY 1	1	
7	22N-27433-00	•COVER, rear footrest	1	
8	98506-05010	•SCREW, Pan head	2	
9	91701-06035	•PIN, clevis	1	
10	91401-16012	•PIN, cotter	1	
11	90501-16761	•SPRING, compression	1	
12	93501-04011	•BALL	1	
13	90185-10115	NUT, self-locking	1	
14	29L-27414-00	DAMPER, footrest	1	
15	90209-08249	WASHER	1	
16	90185-08106	NUT, self-locking	1	
17	90105-08284	BOLT, washer based	1	
18	90109-10754	BOLT	1	
19	91311-10025	BOLT	1	
20	29L-27443-01	BRACKET 3	1	
21	29L-27420-00	FRONT FOOTREST ASSY (R.H)	1	
22	22N-27413-00	•COVER, footrest	1	
23	95601-06100	•NUT, u	2	
24	90506-16208	•SPRING, tension	1	
25	90185-10115	NUT, self-locking	1	
26	29L-27440-00	REAR FOOTREST ASSY 2	1	
27	22N-27433-00	•COVER, rear footrest	1	
28	98506-05010	•SCREW, Pan head	2	

3IK300-3340

E5

FIG. 34 STAND•FOOTREST



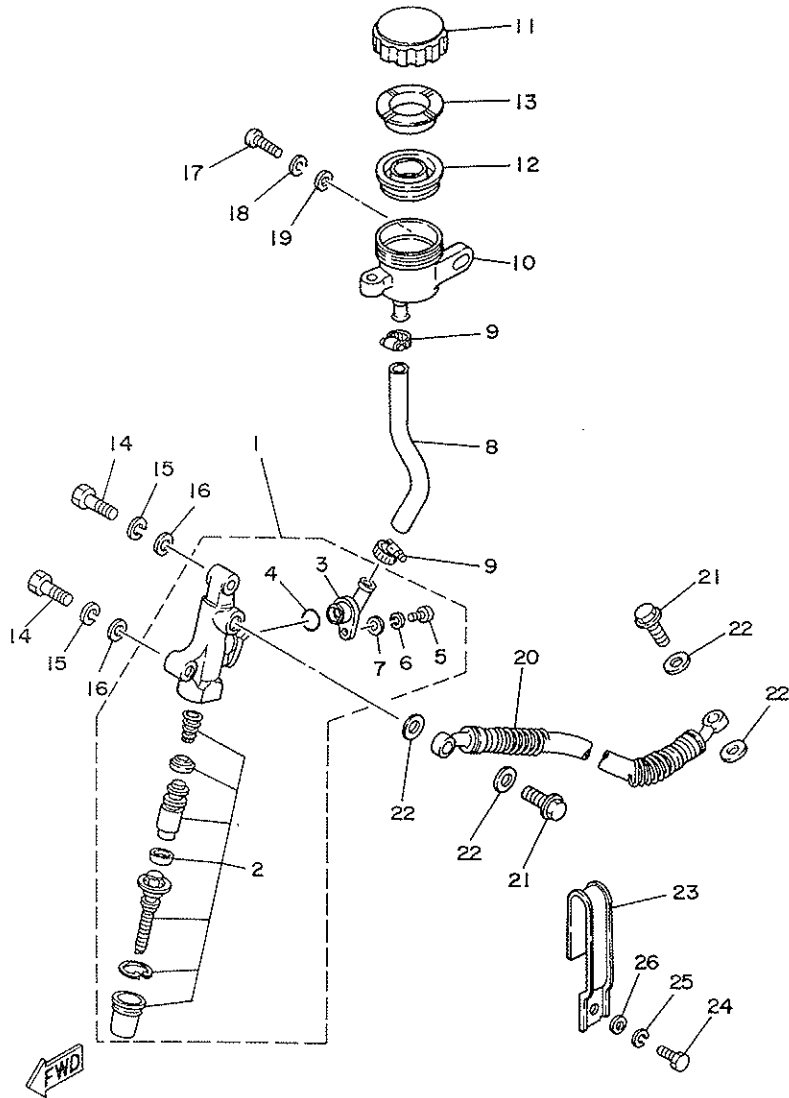
REF. NO.	PART NO.	DESCRIPTION	Q'TY	REMARKS
29	91701-06035	•PIN, clevis	1	
30	91401-16012	•PIN, cotter	1	
31	90501-16761	•SPRING, compression	1	
32	93501-04011	•BALL	1	
33	90185-10115	NUT, self-locking	1	
34	29L-27414-00	DAMPER, footrest	1	
35	90209-08249	WASHER	1	
36	90185-08106	NUT, self-locking	1	
37	90105-08284	BOLT, washer based	1	
38	91311-10025	BOLT	2	
39	29L-27111-00-33	STAND, main	1	yamaha black
40	90506-35320	SPRING, tension	1	
41	90109-10737	BOLT	2	
42	1A0-27114-00	STOPPER, main stand	1	
43	29L-27211-01	PEDAL, brake	1	
44	90506-20192	SPRING, tension	1	
45	95301-08700	NUT	1	
46	1J3-27222-00	JOINT	1	
47	91401-16012	PIN, cotter	1	
48	90240-08013	PIN, clevis	1	
49	90201-08083	WASHER, plate	1	
50	29L-27311-00-33	STAND, side	1	yamaha black
51	90109-10750	BOLT	1	
52	90185-10037	NUT, self-locking	1	
53	4L0-27315-01	LINK, side stand	1	
54	90506-26225	SPRING, tension	1	
55	90506-18224	SPRING, tension	1	

31K300-3340

E6

FIG. 35 REAR MASTER CYLINDER

REF. NO.	PART NO.	DESCRIPTION	Q'TY	REMARKS
1	29L-25850-51	MASTER CYLINDER ASSY	1	
2	29L-W0042-50	•CYLINDER KIT, master	1	
3	29L-2582A-50	•JDINT	1	
4	93210-15620	•O-RING	1	
5	98501-04012	•SCREW, Pan head	1	
6	92902-04100	•WASHER, sPring	1	
7	92901-04600	•WASHER, Plate	1	
8	29L-25895-00	HOSE, reservoir	1	
9	90460-16068	CLAMP, hose	2	
10	1A1-25894-01	TANK, reservoir	1	
11	1A1-25852-00	CAP, reservoir	1	
12	360-25854-00	DIAPHRAGM, reservoir	1	
13	360-25855-01	BUSH, diaPhraëm	1	
14	97306-08030	BOLT	2	
15	92906-08100	WASHER, sPring	2	
16	92906-08600	WASHER, Plate	2	
17	92501-06020	SCREW, Pan head	1	
18	92901-06100	WASHER, sPring	1	
19	92901-06200	WASHER, Plain	1	
20	29L-25872-50	HOSE, brake l	1	
21	90401-10034	BOLT, union	2	
22	90201-10118	WASHER, Plate	4	
23	29L-25875-00	HOLDER, brake hose l	1	
24	97306-06012	BOLT	1	
25	92906-06100	WASHER, sPring	1	
26	92906-06600	WASHER, Plate	1	

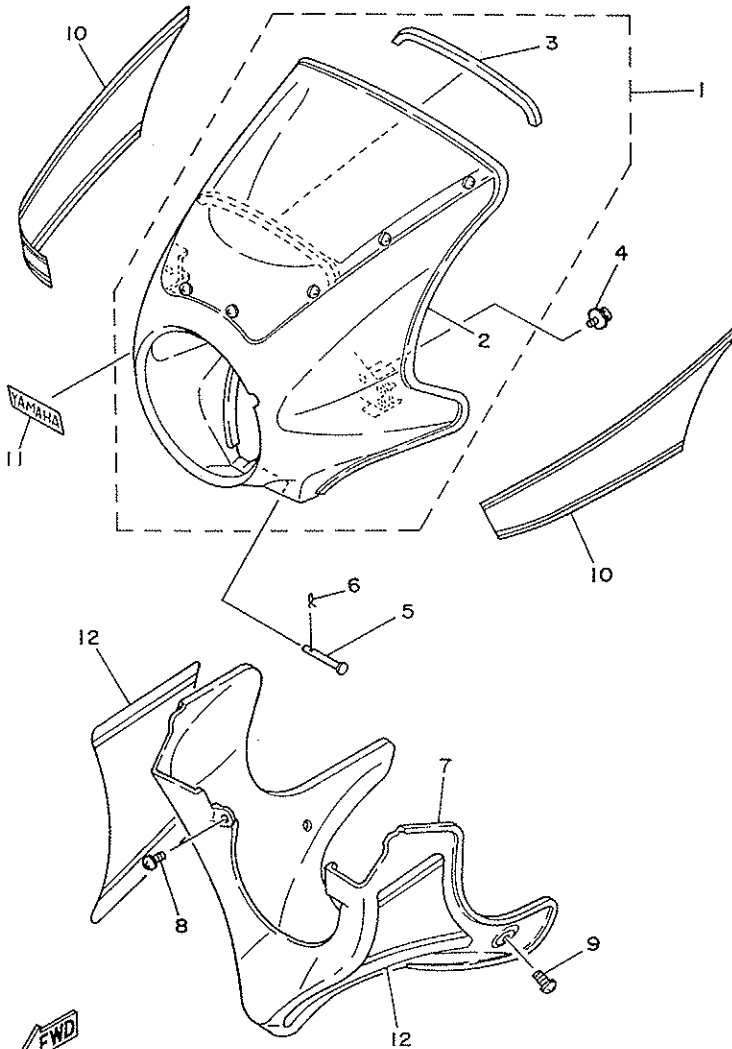


29L010-3350

E7

FIG. 36 COWLING

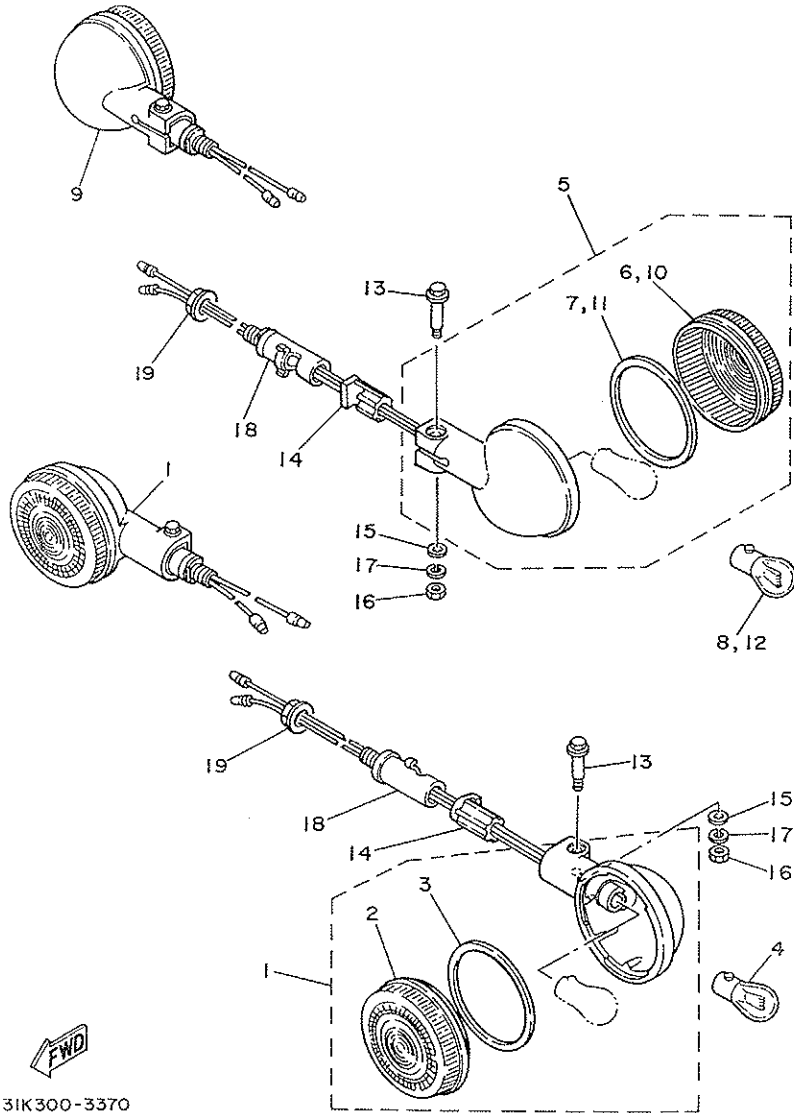
REF. NO.	PART NO.	DESCRIPTION	Q'TY	REMARKS
1	31K-28350-00-Y9	COWLING ASSY	1	UR
	31K-28350-00-6G	COWLING ASSY	1	new Pearl white UR new yamaha black
2	29L-28376-00	*TRIM	1	
3	29L-28217-00	*DAMPER 1	1	
4	97906-08112	SCREW	2	
5	91701-05060	PIN, clevis	1	
6	90468-10050	CLIP	1	
7	31K-28385-00-Y9	COVER, lower	1	UR
	31K-28385-00-6G	COVER, lower	1	new Pearl white UR new yamaha black
8	90154-05001	SCREW, binding	2	
9	90154-06014	SCREW, binding	2	
10	29L-28390-40	GRAPHIC SET, cowling	1	UR
	29L-28390-50	GRAPHIC SET, cowling	1	for nPw(red) UR
	29L-28390-30	GRAPHIC SET, cowling	1	for nPw(blue) UR for nyb/cPr, nyb
11	29L-28338-00	EMBLEM	1	UR
	29L-28338-10	EMBLEM	1	for w/cPr, nPw UR for nyb/cPr, nyb
12	31K-28301-00	GRAPHIC SET, lower cover	1	UR
	31K-28301-10	GRAPHIC SET, lower cover	1	for nPw(red) UR
	31K-28301-20	GRAPHIC SET, lower cover	1	for nPw(blue) UR for nyb



31K300-3360

E8

FIG. 37 FLASHER LIGHT



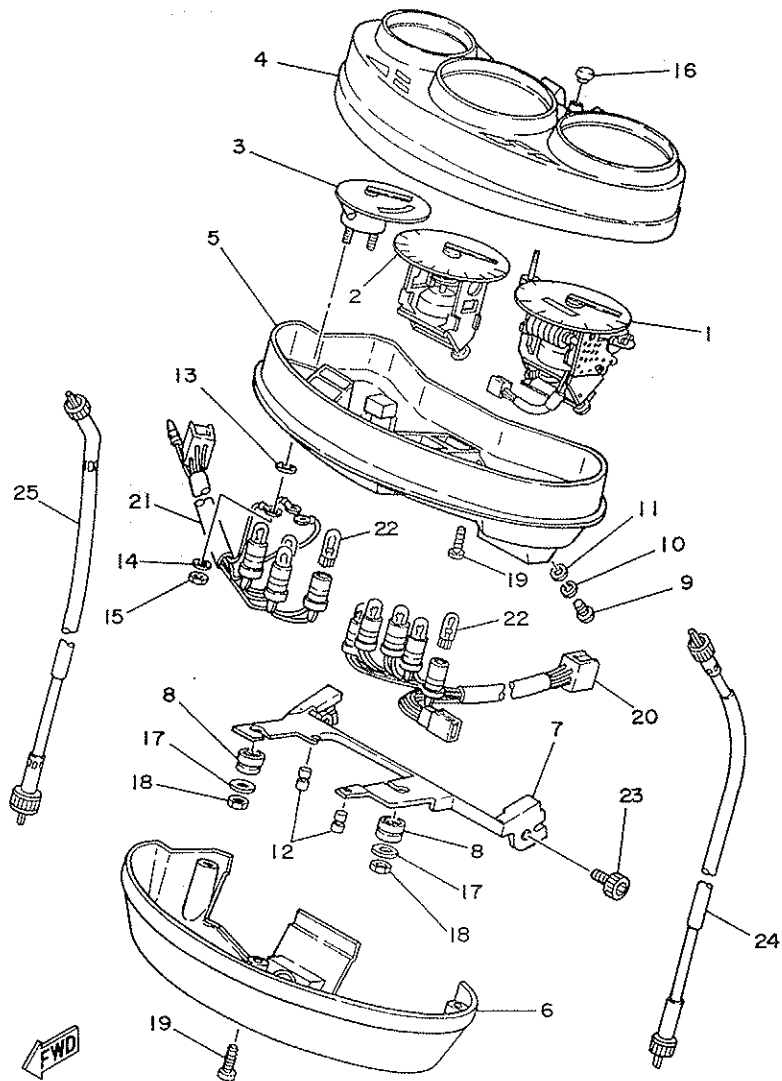
REF. NO.	PART NO.	DESCRIPTION	Q'TY	REMARKS
1	4L0-83310-40	FRONT FLASHER LIGHT ASSY 1	2	
2	3Y6-83312-00	•LENS, flasher	1	
3	3Y6-83313-00	•GASKET, flasher lens	1	
4	*	BULB, flasher (12V-21W)	1	LM
5	4L0-83330-40	REAR FLASHER LIGHT ASSY 1	1	
6	4L0-83332-00	•LENS, flasher	1	
7	3Y6-83313-00	•GASKET, flasher lens	1	
8	*	BULB, flasher (12V-21W)	1	LM
9	4L0-83340-40	REAR FLASHER LIGHT ASSY	1	
10	4L0-83332-00	•LENS, flasher	1	
11	3Y6-83313-00	•GASKET, flasher lens	1	
12	*	BULB, flasher (12V-21W)	1	LM
13	3Y6-83317-00	BOLT, flasher 1	4	
14	4L0-83321-00	DAMPER, flasher 1	4	
15	92906-05600	WASHER, plate	4	
16	95306-05600	NUT	4	
17	92906-05100	WASHER, spring	4	
18	13W-83318-00	STAY, flasher 1	4	
19	95706-12100	NUT, flange	4	

3IK300-3370

E9

FIG. 38 METER

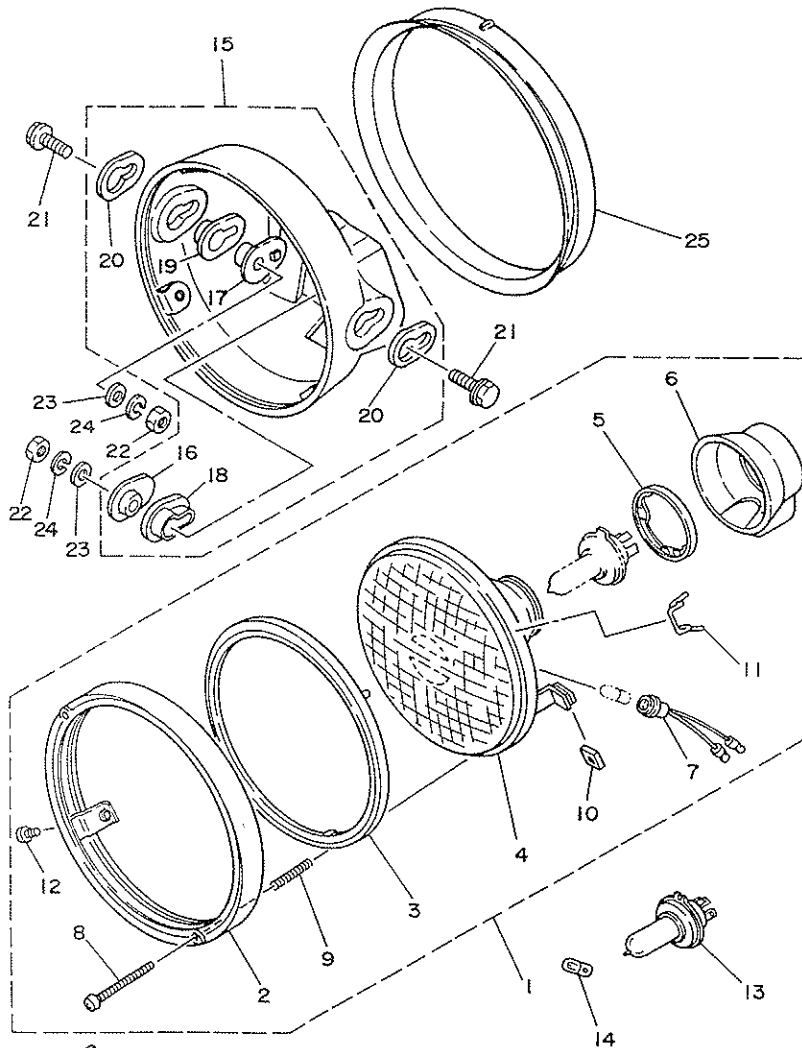
REF. NO.	PART NO.	DESCRIPTION	Q'TY	REMARKS
1	31K-83570-F0	SPEEDOMETER ASSY	1	
2	29L-83540-00	TACHOMETER ASSY	1	
3	29L-83590-00	WATER TEMPERATURE ASSY	1	
4	31K-83559-00	COVER, meter	1	
5	31K-8353H-00	CASE, inner	1	
6	29L-83579-00	COVER, meter 2	1	
7	29L-83519-00	BRACKET, meter	1	
8	4X7-83523-00	DAMPER	2	
9	98503-04010	SCREW, Pan head	4	
10	92902-04100	WASHER, sPring	4	
11	92901-04600	WASHER, Plate	4	
12	29L-83523-00	DAMPER	2	
13	92902-03600	WASHER	3	
14	92903-03100	WASHER, sPring	3	
15	95301-03700	NUT	3	
16	29L-83578-00	KNOB, triP meter	1	
17	90201-05031	WASHER, Plate	2	
18	95301-05600	NUT	2	
19	90164-04006	SCREW, taPPinG	4	
20	31K-83536-00	SOCKET, meter	1	
21	29L-83520-00	SOCKET CORD ASSY	1	
22	4G1-84744-00	BULB (12V 3.4W)	8	
23	91316-08012	BOLT	2	
24	4L0-83550-00	SPEEDOMETER CABLE ASSY	1	
25	29L-83560-00	TACHOMETER CABLE ASSY	1	



29L010-3380

E10

FIG. 39 HEADLIGHT



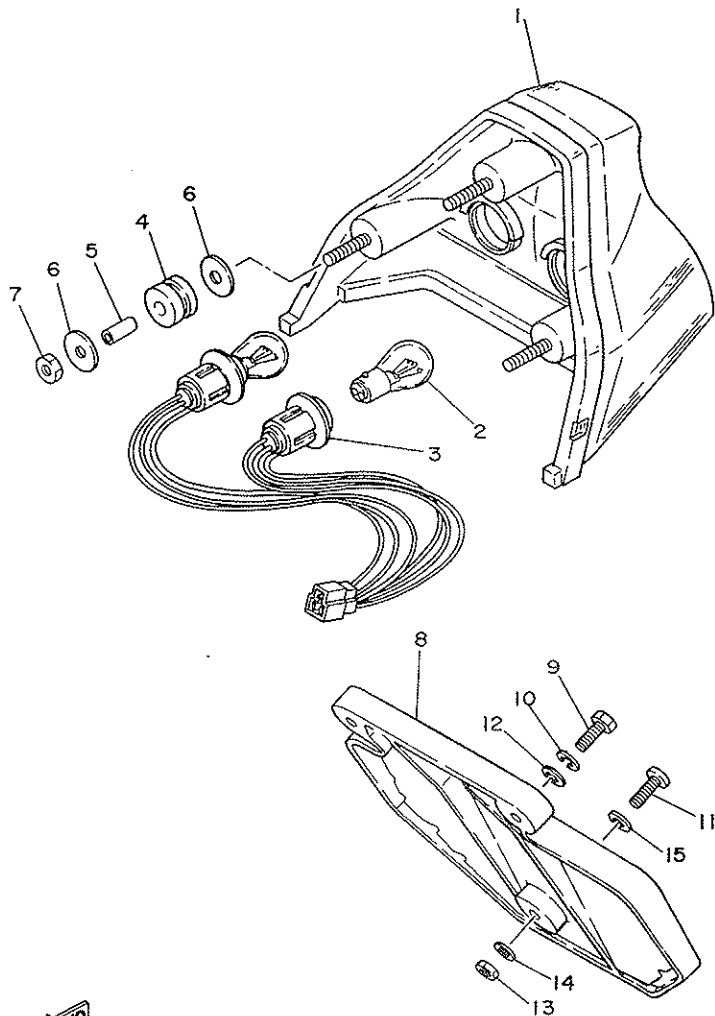
REF. NO.	PART NO.	DESCRIPTION	Q'TY	REMARKS
1	31K-84303-G0	HEADLIGHT UNIT ASSY	1	
2	29L-84315-00	•RIM, headlight	1	
3	29L-84395-00	•RING, retaining	1	
4	31K-84320-G0	•LENS ASSY	1	
5	2F9-84375-00	•FITTING PLATE, bulb	1	
6	2F9-84397-01	•COVER, socket	1	
7	457-84146-85	•SOCKET, Pilot light	1	
8	10X-84131-00	•SCREW, rim adjuster	2	
9	341-84332-60	•SPRING, screw	2	
10	198-84334-60	•NUT, adjusting	2	
11	5G2-84324-A0	•SPRING, reflector	1	
12	98506-05012	•SCREW, Pan head	2	
13	*	BULB (12V-60/55W)	1	LM
14	*	BULB (12V 4W)	1	LM
15	29L-84330-00	BODY ASSY	1	
16	5G2-84388-00	•COLLAR 1	1	
17	5G2-84398-00	•COLLAR 2	1	
18	5G2-84366-00	•DAMPER, headlight 1	1	
19	5G2-84367-00	•DAMPER, headlight 2	1	
20	5G2-84368-00	•DAMPER 3	2	
21	95806-08030	BOLT, flange	2	
22	95301-08600	NUT	2	
23	92901-08200	WASHER, Plain	2	
24	92901-08100	WASHER, spring	2	
25	29L-28372-02	DAMPER	1	

31K300-3390

E11

FIG. 40 TAILLIGHT

REF. NO.	PART NO.	DESCRIPTION	Q'TY	REMARKS
1	29L-84540-00	LENS ASSY	1	
2	31L-84714-00	BULB	2	
3	31K-84735-40	CORD ASSY	1	
4	16G-84736-00	DAMPER, tail t	3	
5	90387-065G1	COLLAR	3	
6	90201-066F3	WASHER, Plate	6	
7	95302-06600	NUT	3	
8	29L-84751-00	BRACKET, licence	1	
9	97306-06020	BOLT	2	
10	92906-06100	WASHER, sPrin8	2	
11	92506-06020	SCREW, Pan head	1	
12	90201-06059	WASHER, Plate	2	
13	95302-06600	NUT	1	
14	90201-06052	WASHER, Plate	1	
15	90201-062A8	WASHER, Plate	1	

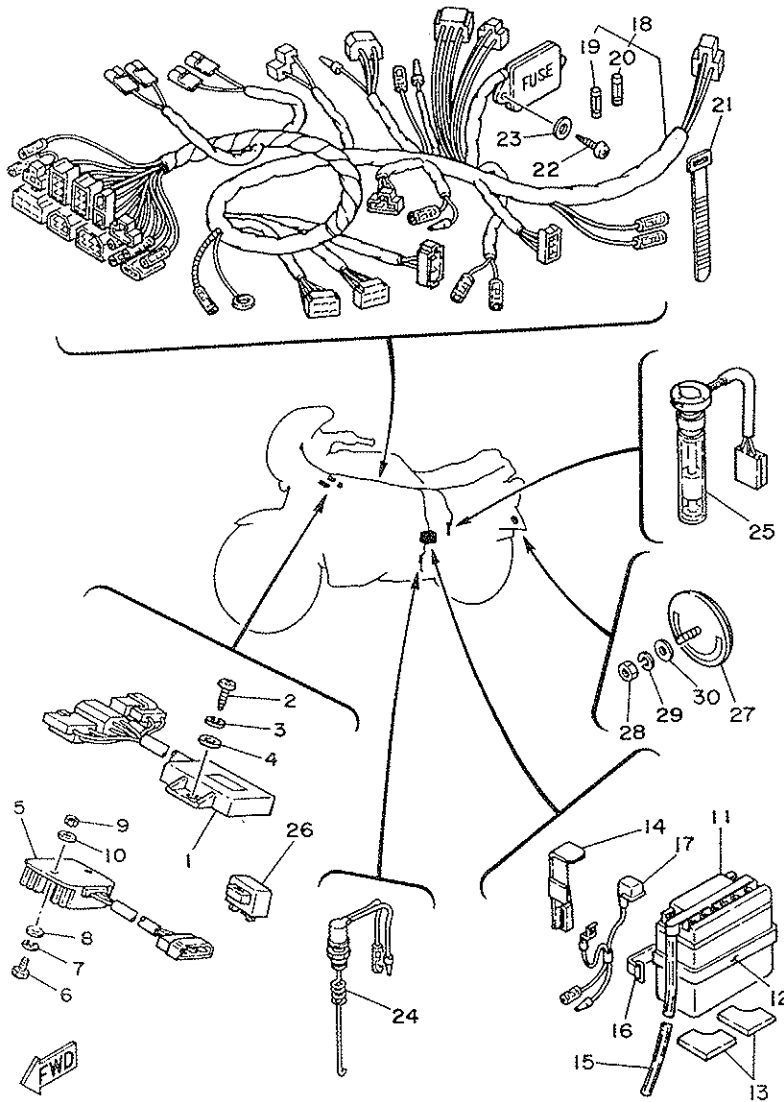


FWD
29L010-3400

E12

FIG. 41 ELECTRICAL 1

REF. NO.	PART NO.	DESCRIPTION	Q'TY	REMARKS
1	29K-85540-50	C.D.I. UNIT ASSY	1	
2	97702-60520	SCREW, taPPinG	2	
3	92902-06100	WASHER, sPrinG	2	
4	92902-06200	WASHER	2	
5	4L0-81960-A0	RECTIFIER & REGULATOR ASSY	1	
6	97302-06020	BOLT	2	
7	92902-06100	WASHER, sPrinG	2	
8	92902-06600	WASHER	2	
9	95302-06600	NUT	2	
10	90201-06755	WASHER, Plate	2	
11	131-82110-61	BATTERY ASSY	1	
12	165-82124-00	BAND, battery	1	
13	29L-82122-00	SEAT, battery	2	
14	29L-82129-00	COVER, battery	1	
15	90445-08336	HOSE	1	
16	29L-82131-00	BAND, battery	1	
17	4L0-82117-00	WIRE, lead	1	
18	31L-82590-70	WIRE HARNESS ASSY	1	
19	1A0-82151-00	*FUSE (12V-10A)	3	
20	1A0-82161-00	*FUSE (12V-20A)	1	
21	437-83936-10	BAND, switch cord	1	
22	97701-60116	SCREW, taPPinG	2	
23	92901-06200	WASHER, Plain	2	
24	1T2-82530-00	STOP SWITCH ASSY	1	
25	29L-85720-00	OIL LEVEL GAUGE ASSY	1	
26	4K0-83350-40	FLASHER RELAY ASSY	1	
27	449-85131-01	REFLECTOR, rear 1	1	
28	95302-05600	NUT	1	

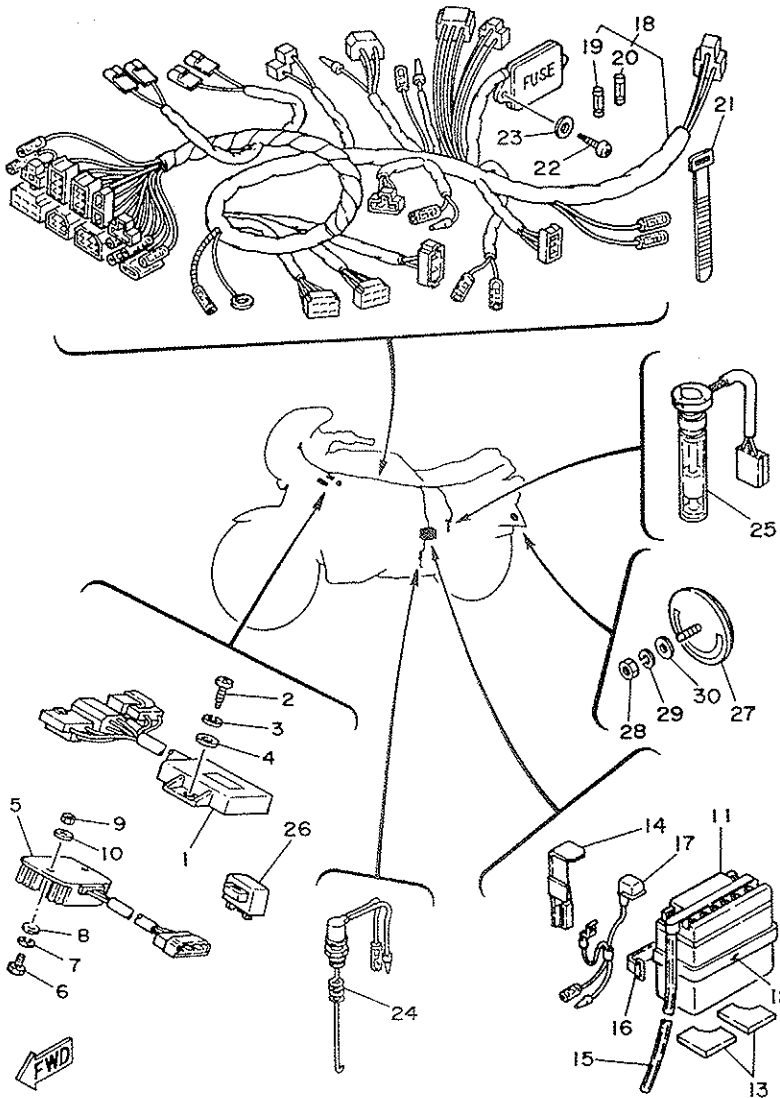


3IK300-3410

E13

FIG. 41 ELECTRICAL 1

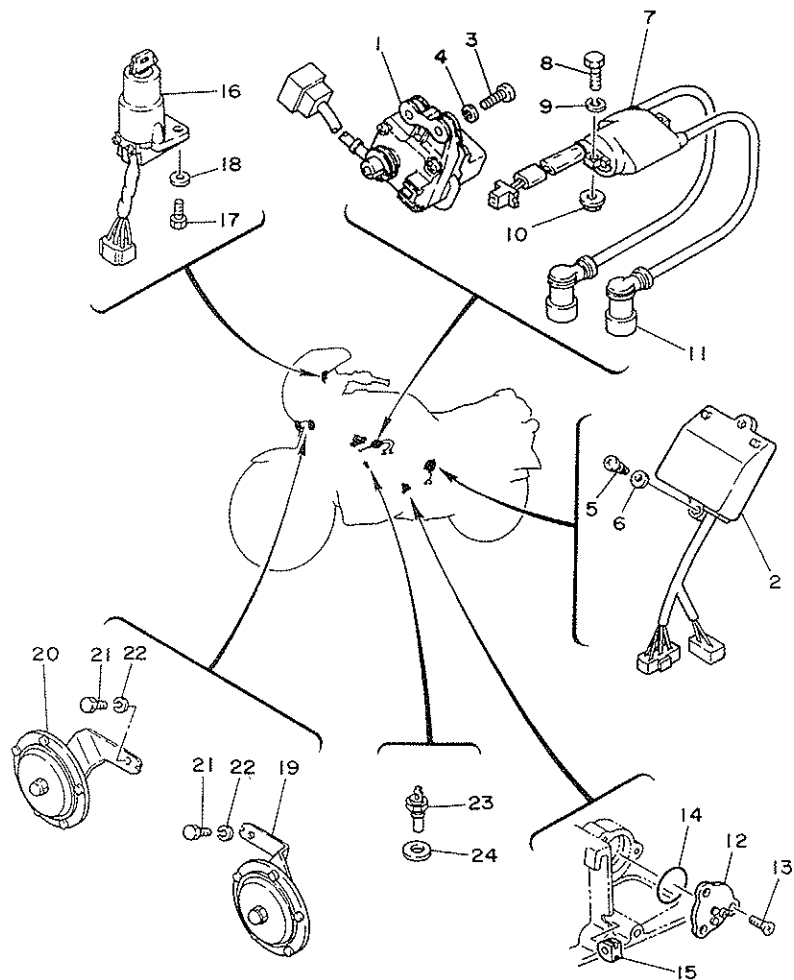
REF. NO.	PART NO.	DESCRIPTION	Q'TY	REMARKS
29	92902-05100	WASHER, spring	1	
30	92902-05200	WASHER	1	



3IK300-3410

E14

FIG. 42 ELECTRICAL 2

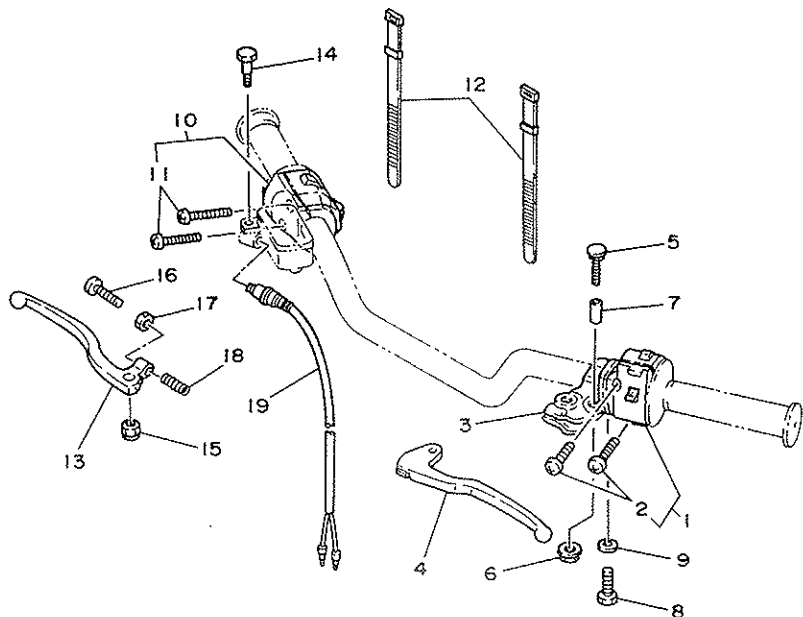


REF. NO.	PART NO.	DESCRIPTION	Q'TY	REMARKS
1	29L-85820-M0	SERVO MOTOR ASSY	1	
2	29L-85830-M0	CONTROL UNIT ASSY	1	
3	92502-06025	SCREW, Pan head	2	
4	92902-06100	WASHER, sPring	2	
5	97701-60116	SCREW, tapping	2	
6	92901-06200	WASHER, Plain	2	
7	4L0-82310-50	IGNITION COIL ASSY	1	
8	97302-06025	BOLT	2	
9	92902-06100	WASHER, sPring	2	
10	95702-06100	NUT, flange	1	
11	29L-82370-00	PLUG CAP ASSY	2	
12	278-82540-01	NEUTRAL SWITCH ASSY	1	
13	98702-05012	SCREW, flat head	3	
14	93210-29147	O-RING	1	
15	90480-01148	GROMMET	1	
16	4L0-82508-45	MAIN SWITCH ASSY	1	
17	97301-06016	BOLT	2	
18	92902-06600	WASHER	2	
19	29L-83371-20	HORN	1	high tone
20	29L-83371-30	HORN	1	low tone
21	97326-08016	BOLT	2	
22	92906-08100	WASHER, sPring	2	
23	5R2-83591-00	THERMO UNIT	1	
24	90201-10118	WASHER, Plate	1	

FWD
29L010-3420

E15

FIG. 43 HANDLE SWITCH•LEVER



REF. NO.	PART NO.	DESCRIPTION	Q'TY	REMARKS
1	31L-83972-00	SWITCH, handle 4	1	
2	98506-05020	•SCREW, Pan head	2	
3	29L-82911-00	HOLDER, lever 1	1	
4	29L-83912-00	LEVER 1	1	
5	31A-83945-00	BOLT, lever	1	
6	95706-06100	NUT, flange	1	
7	31A-83913-00	COLLAR, lever 1	1	
8	97306-06025	BOLT	1	
9	92906-06100	WASHER, sPring	1	
10	29L-83975-00	SWITCH, handle 2	1	
11	98506-05020	•SCREW, Pan head	2	
12	437-83936-00	BAND, switch cord	2	
13	31A-83922-00	LEVER 2	1	
14	90109-06742	BOLT	1	
15	95606-06100	NUT, u	1	
16	90149-06153	SCREW	1	
17	90170-06010	NUT	1	
18	90501-10312	SPRING, comPring	1	
19	1A0-83980-30	FRONT STOP SWITCH ASSY	1	

FWD

29L010-3430

F2

FOR AUSTRIA

FOR BELGIUM

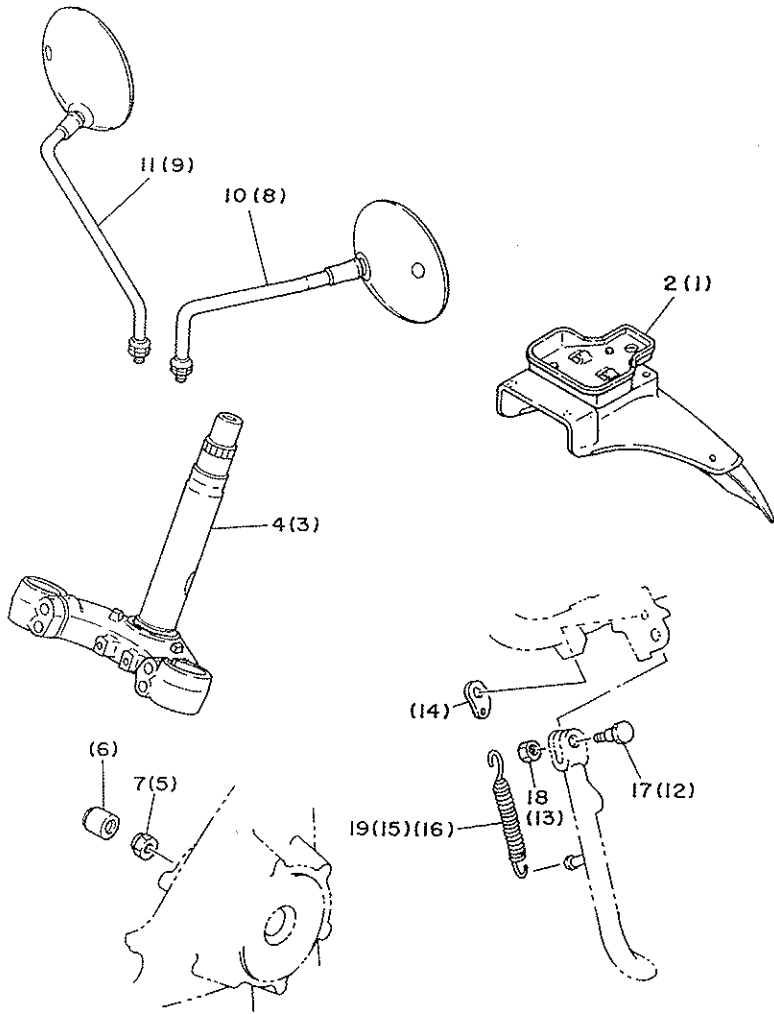
FOR HOLLAND

FOR ITALY

The following pages provides a listing of only the parts that meet the specifications peculiar to your market. For those parts not appearing in these pages, refer to the "GENERAL SPEC" section.

FIG. 44 CHASSIS

REF. NO.	PART NO.	DESCRIPTION	Q'TY	REMARKS
1	31K-W2161-00	REAR FENDER COMP.	*	
2	29L-W2161-00	REAR FENDER COMP.	1	
3	31K-23340-30	UNDER BRACKET COMP.	*	
4	31K-23340-F0	UNDER BRACKET COMP.	1	
5	90171-12015	NUT, castle	*	
6	478-25188-00	CAP	*	
7	90171-12005	NUT, castle	1	
8	4L0-26280-10	BACK MIRROR ASSY	*	
9	4L0-26290-00	BACK MIRROR ASSY	*	
10	4L0-26280-20	BACK MIRROR ASSY	1	
11	4L0-26290-70	BACK MIRROR ASSY	1	
12	90109-10750	BOLT	*	
13	90185-10037	NUT, self-locking	*	
14	4L0-27315-01	LINK, side stand	*	
15	90506-26225	SPRING, tension	*	
16	90506-18224	SPRING, tension	*	
17	90109-10473	BOLT	1	
18	95301-10700	NUT	1	
19	90507-29032	SPRING, tension	1	



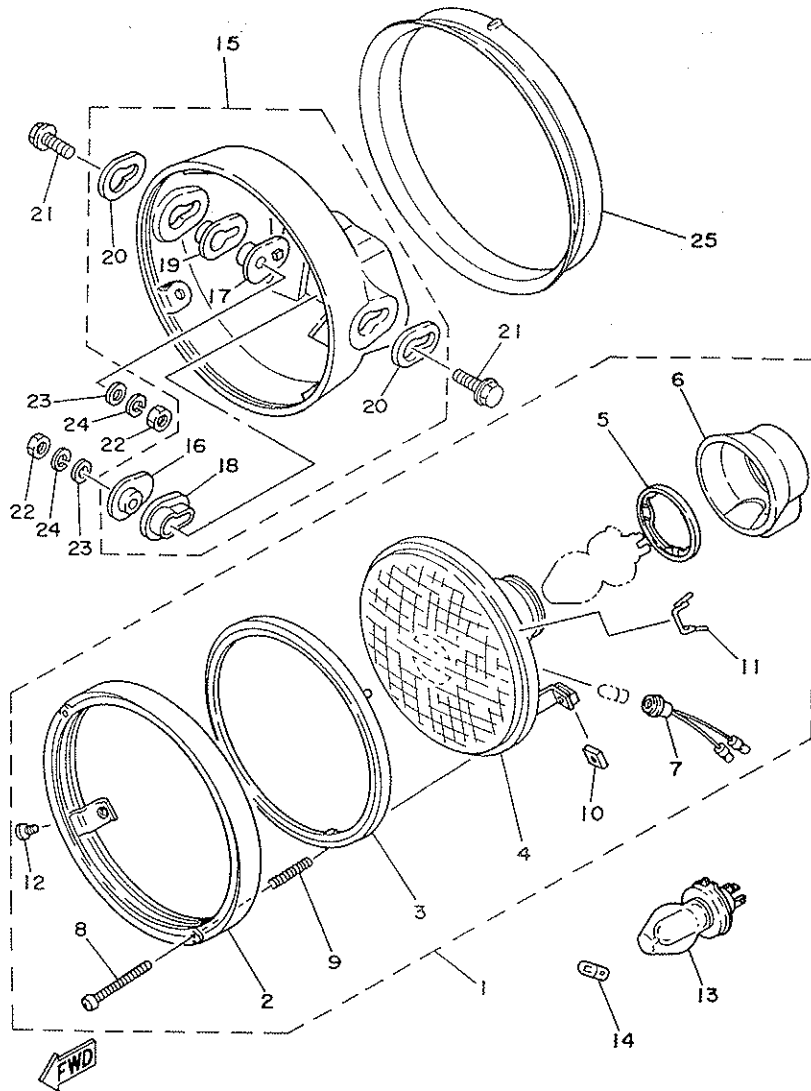
31K300-3440

G3

* For convenience of reference:

Disregard the items asterisked (*) in the "QTY" column. These are intended for GENERAL SPEC, and NOT for INDIVIDUAL SPEC.

FIG. 45 HEADLIGHT



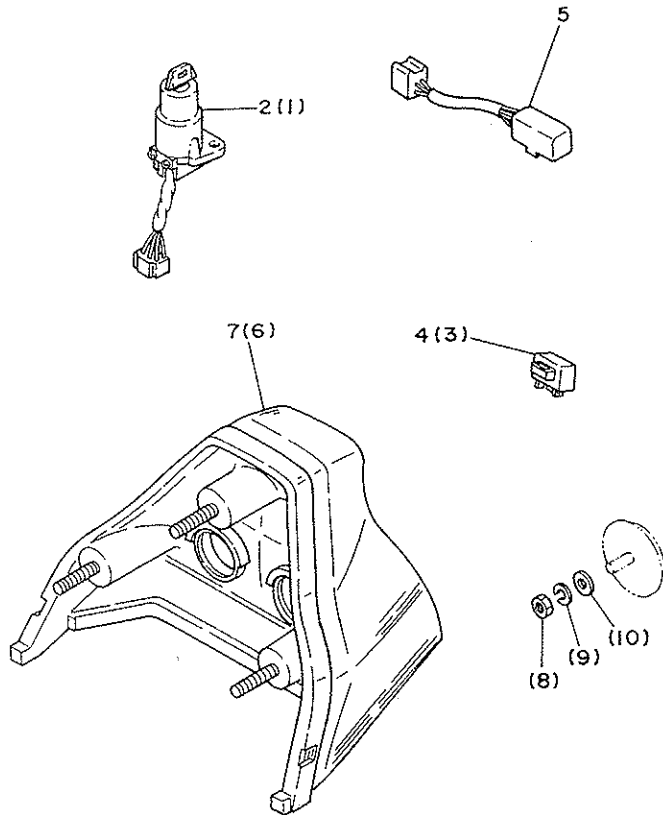
REF. NO.	PART NO.	DESCRIPTION	QTY	REMARKS
1	31K-84303-F0	HEADLIGHT UNIT ASSY	1	
2	29L-84315-00	•RIM, headlight	1	
3	29L-84395-00	•RING, retaining	1	
4	31L-84320-G0	•LENS ASSY	1	
5	2F9-84375-00	•FITTING PLATE, bulb	1	
6	2F9-84397-01	•COVER, socket	1	
7	457-84146-85	•SOCKET, Pilot light	1	
8	10X-84131-00	•SCREW, rim adjuster	2	
9	341-84332-60	•SPRING, screw	2	
10	198-84334-60	•NUT, adjusting	2	
11	5G2-84324-A0	•SPRING, reflector	1	
12	98506-05012	•SCREW, Pan head	2	
13	*	BULB (12V-60/55W)	1	LM
14	*	BULB (12V 4W)	1	LM
15	29L-84330-00	BODY ASSY	1	
16	5G2-84388-00	•COLLAR 1	1	
17	5G2-84398-00	•COLLAR 2	1	
18	5G2-84366-00	•DAMPER, headlight 1	1	
19	5G2-84367-00	•DAMPER, headlight 2	1	
20	5G2-84368-00	•DAMPER 3	2	
21	95806-08030	BOLT, flange	2	
22	95301-08600	NUT	2	
23	92901-08200	WASHER, plain	2	
24	92901-08100	WASHER, spring	2	
25	29L-28372-00	DAMPER	1	

31K300-3450

G4

FIG. 46 ELECTRICAL

REF. NO.	PART NO.	DESCRIPTION	Q'TY	REMARKS
1	4L0-82508-45	MAIN SWITCH ASSY	*	
2	4L0-82508-30	MAIN SWITCH ASSY	1	
3	4K0-83350-40	FLASHER RELAY ASSY	*	
4	4K0-83350-20	FLASHER RELAY ASSY	1	
5	1A0-83395-03	FLASHER CANCELLING UNIT	1	
6	29L-84540-00	LENS ASSY	*	
7	31L-84540-30	LENS ASSY	1	
8	*	NUT	1	
9	*	WASHER, spring	1	
10	*	WASHER	1	



31K300-3460

G5

* For convenience of reference:

Disregard the items asterisked (*) in the "QTY" column. These are intended for GENERAL SPEC, and NOT for INDIVIDUAL SPEC.

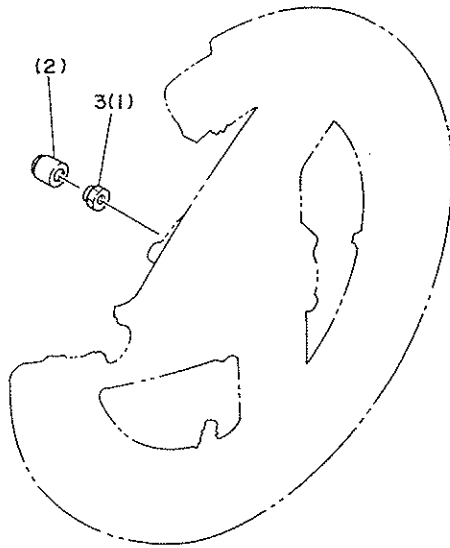
FOR DENMARK

FOR SWEDEN

The following pages provides a listing of only the parts that meet the specifications peculiar to your market. For those parts not appearing in these pages, refer to the "GENERAL SPEC" section.

FIG. 47 CHASSIS

REF. NO.	PART NO.	DESCRIPTION	Q'TY	REMARKS
1	90171-12015	NUT, castle	*	
2	478-25188-00	CAP	*	
3	90171-12005	NUT, castle	1	



31K300-3470

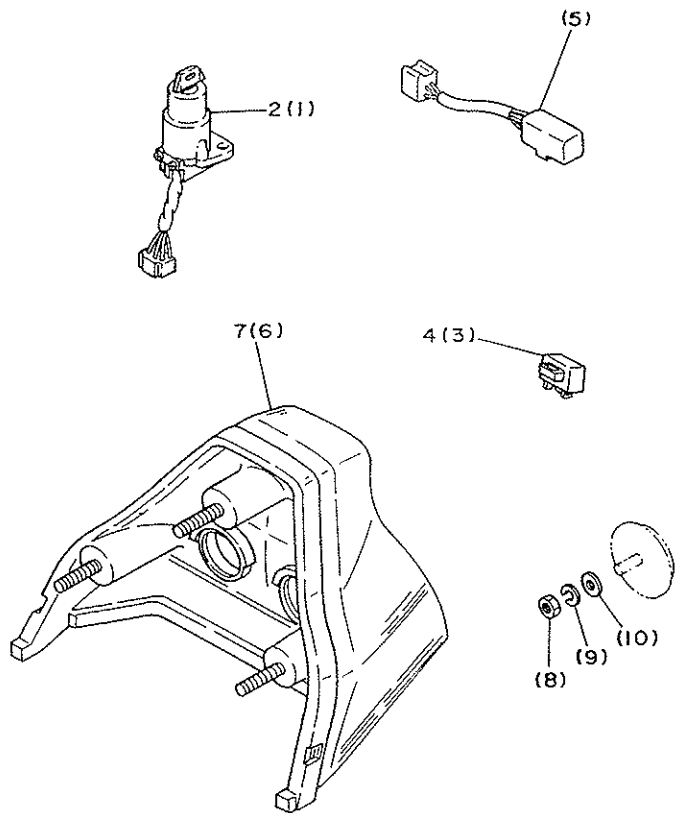
G7

* For convenience of reference:

Disregard the items asterisked (*) in the "QTY" column. These are intended for GENERAL SPEC, and NOT for INDIVIDUAL SPEC.

FIG. 48 ELECTRICAL

REF. NO.	PART NO.	DESCRIPTION	Q'TY	REMARKS
1	4L0-82508-45	MAIN SWITCH ASSY	*	
2	4L0-82508-30	MAIN SWITCH ASSY	1	
3	4K0-83350-40	FLASHER RELAY ASSY	*	
4	4K0-83350-20	FLASHER RELAY ASSY	1	
5	1A0-83395-03	FLASHER CANCELLING UNIT	*	
6	29L-84540-00	LENS ASSY	*	
7	31L-84540-30	LENS ASSY	1	
8	*	NUT	1	
9	*	WASHER, sPring	1	
10	*	WASHER	1	



31K300-3480



* For convenience of reference:

Disregard the items asterisked (*) in the "QTY" column. These are intended for GENERAL SPEC, and NOT for INDIVIDUAL SPEC